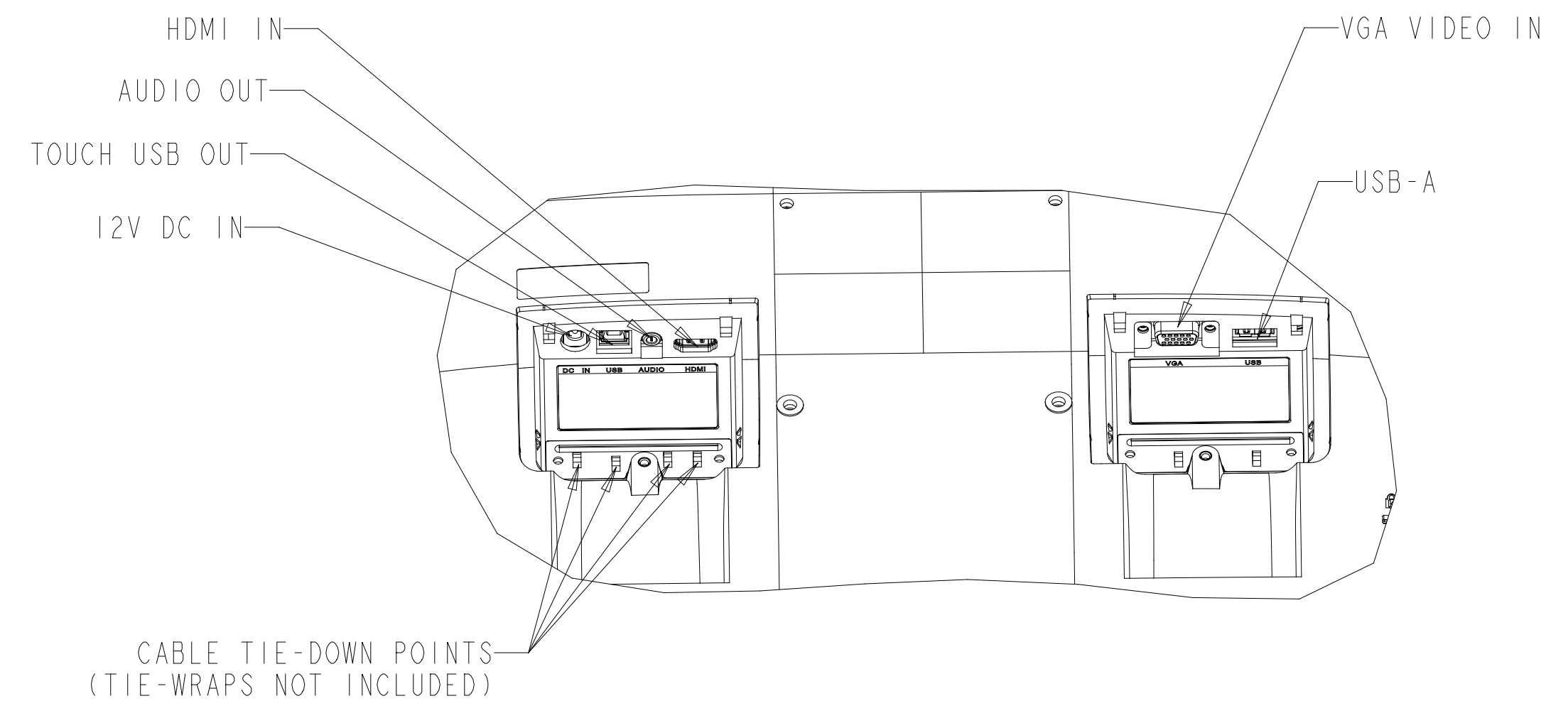
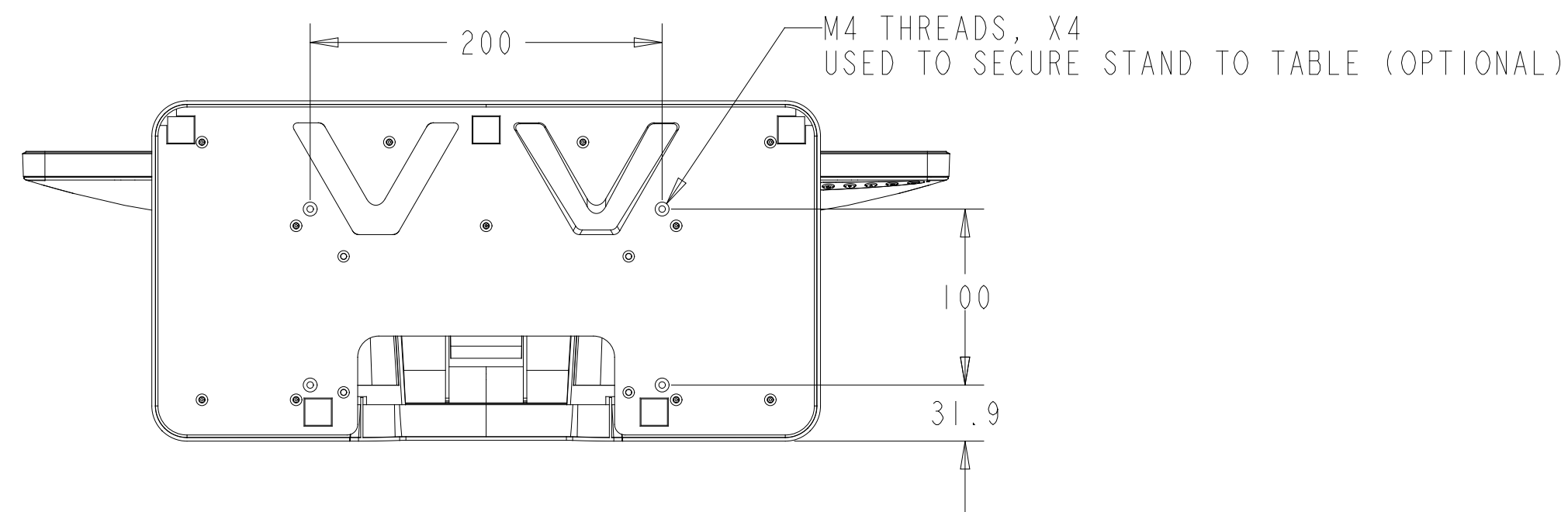
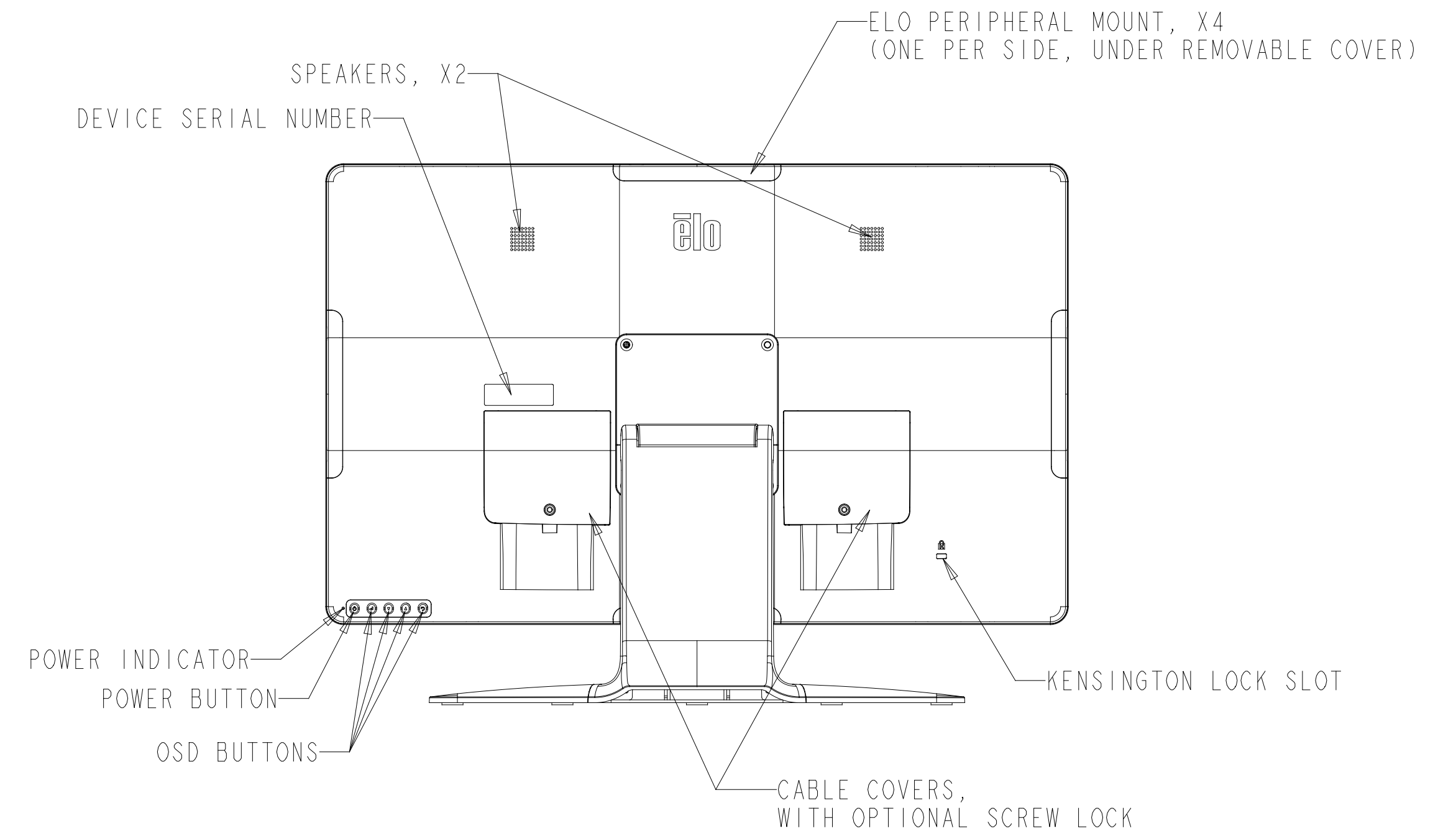
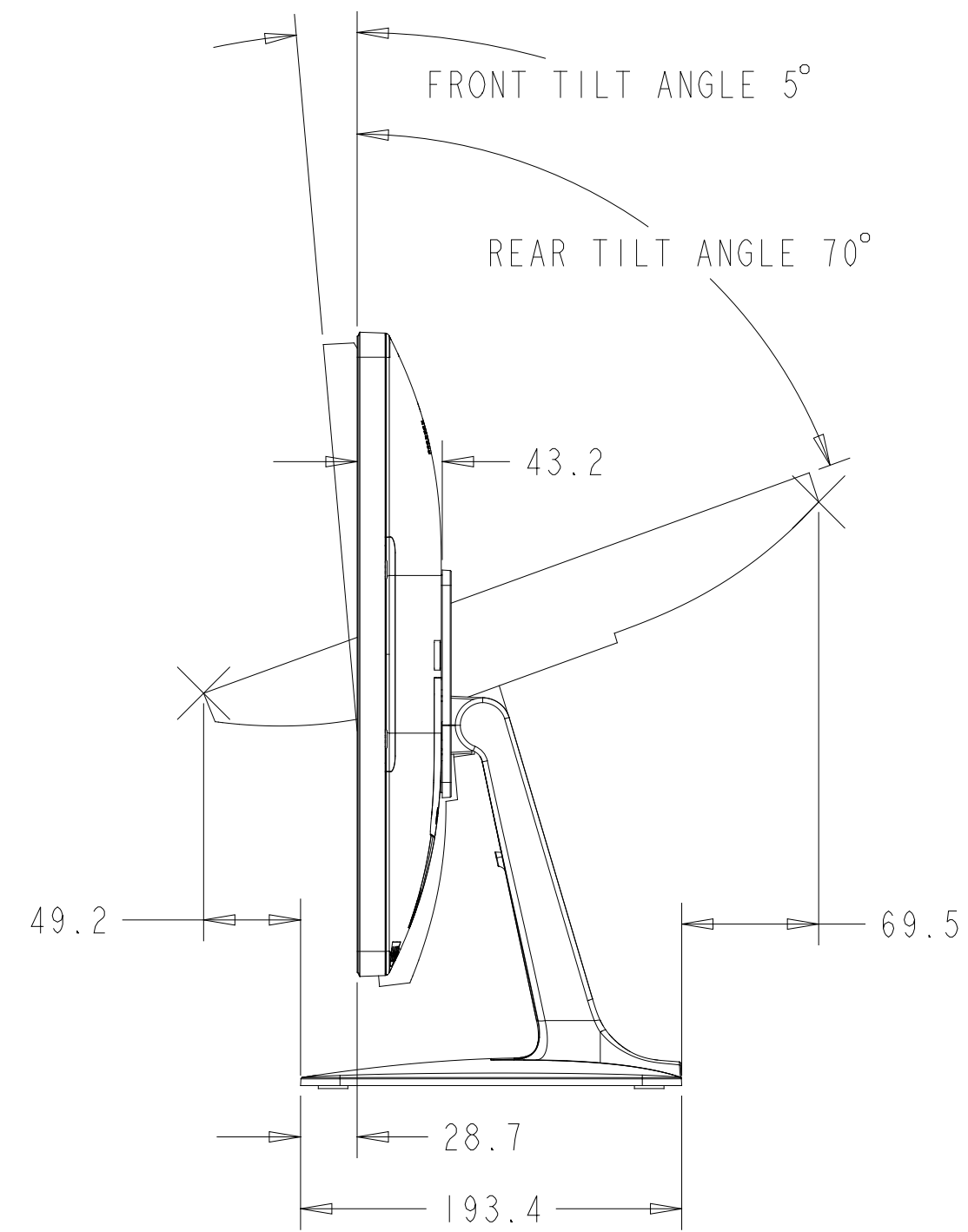
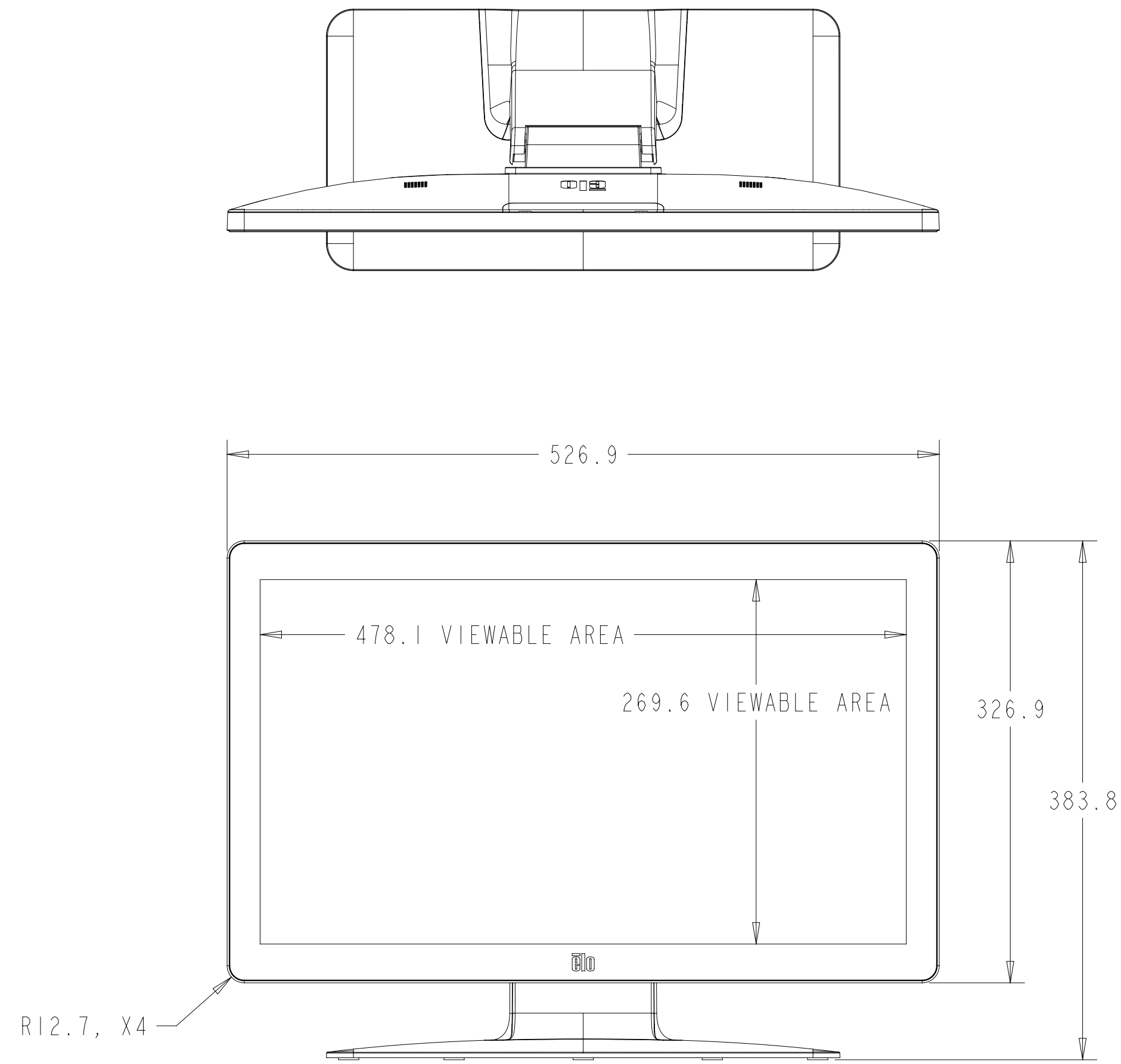


SHOWN WITH OPTIONAL STAND
 STAND ALSO SOLD SEPARATELY: P/N E804330 (BLACK), P/N E808963 (WHITE)

DIMENSIONAL DRAWING: 2202/2203



DIMENSIONS ARE IN MILLIMETERS

SHEET 1 OF 5

elo

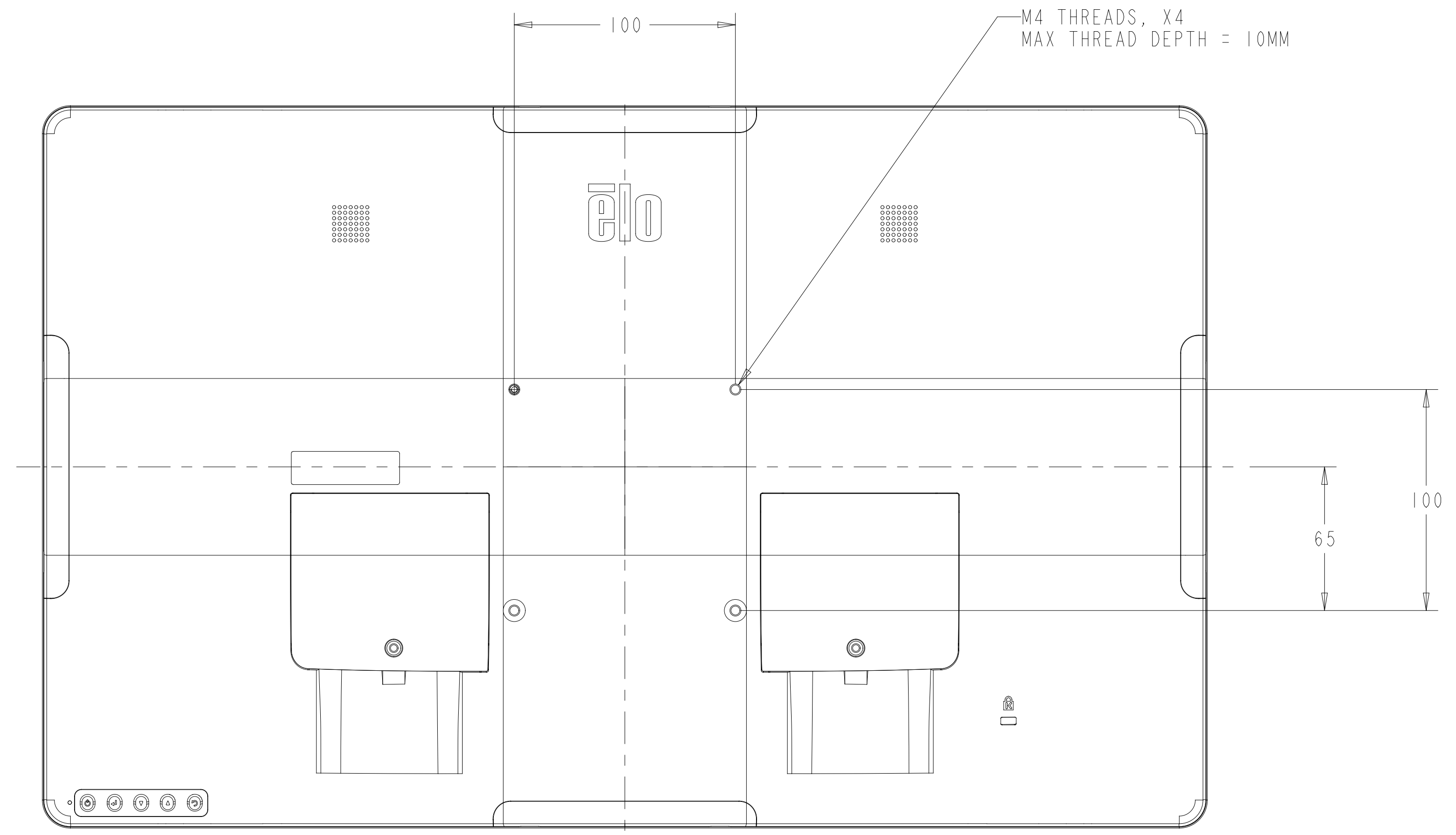
MS601974

DATE: 03/21/2022

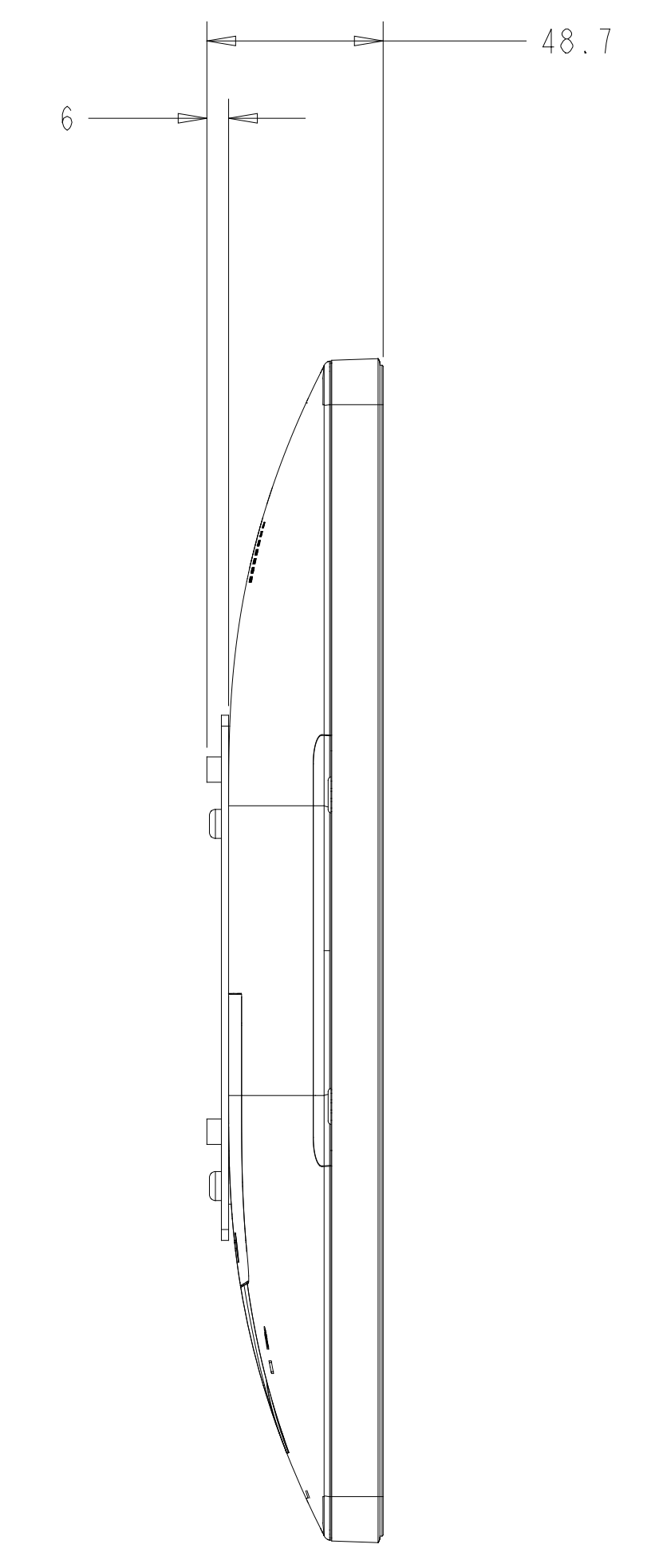
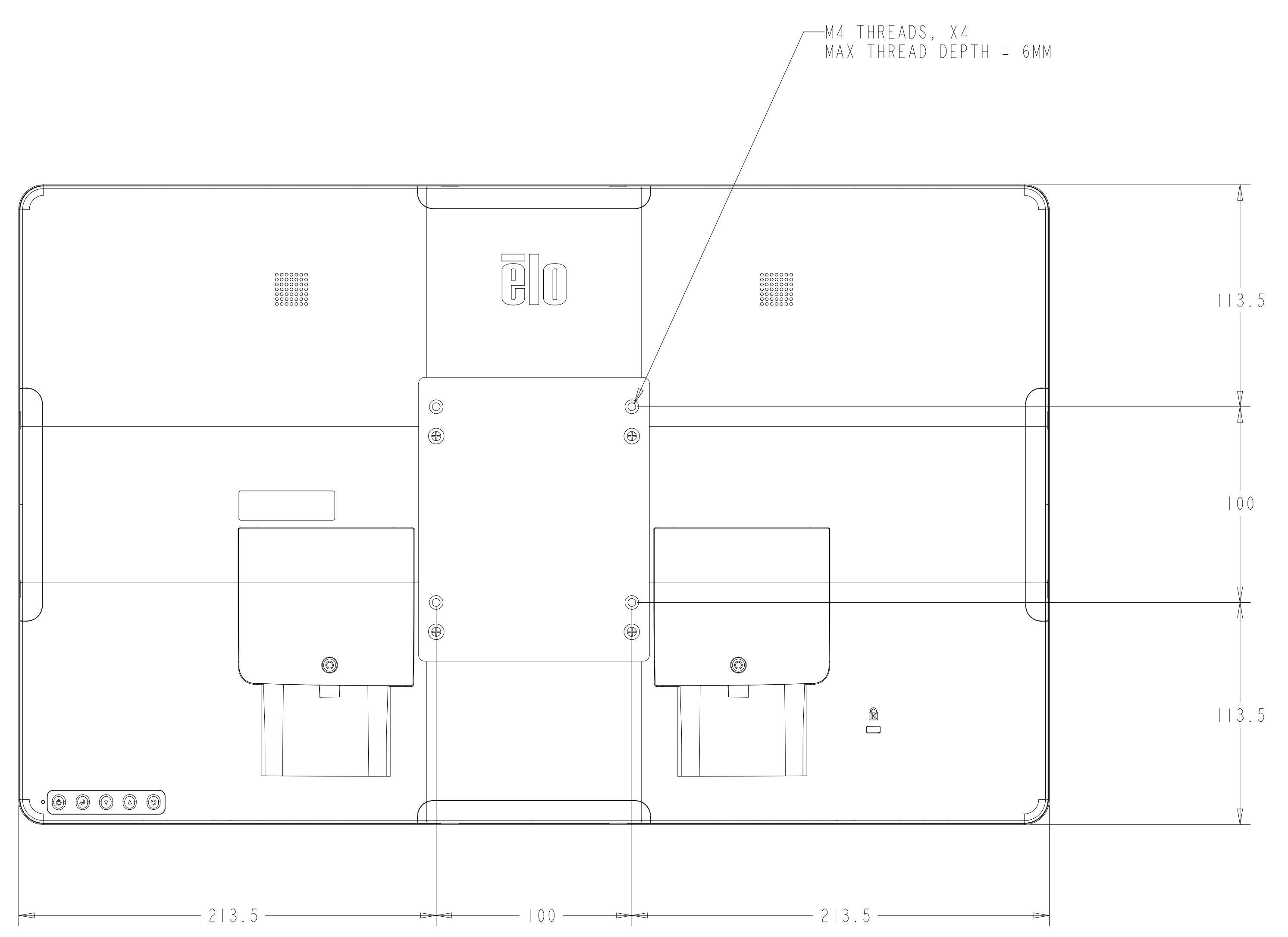
REV: F

VESA MOUNTING
VESA MIS-D, 100, C

REMOVE STAND TO ACCESS VESA MOUNTING INTERFACE

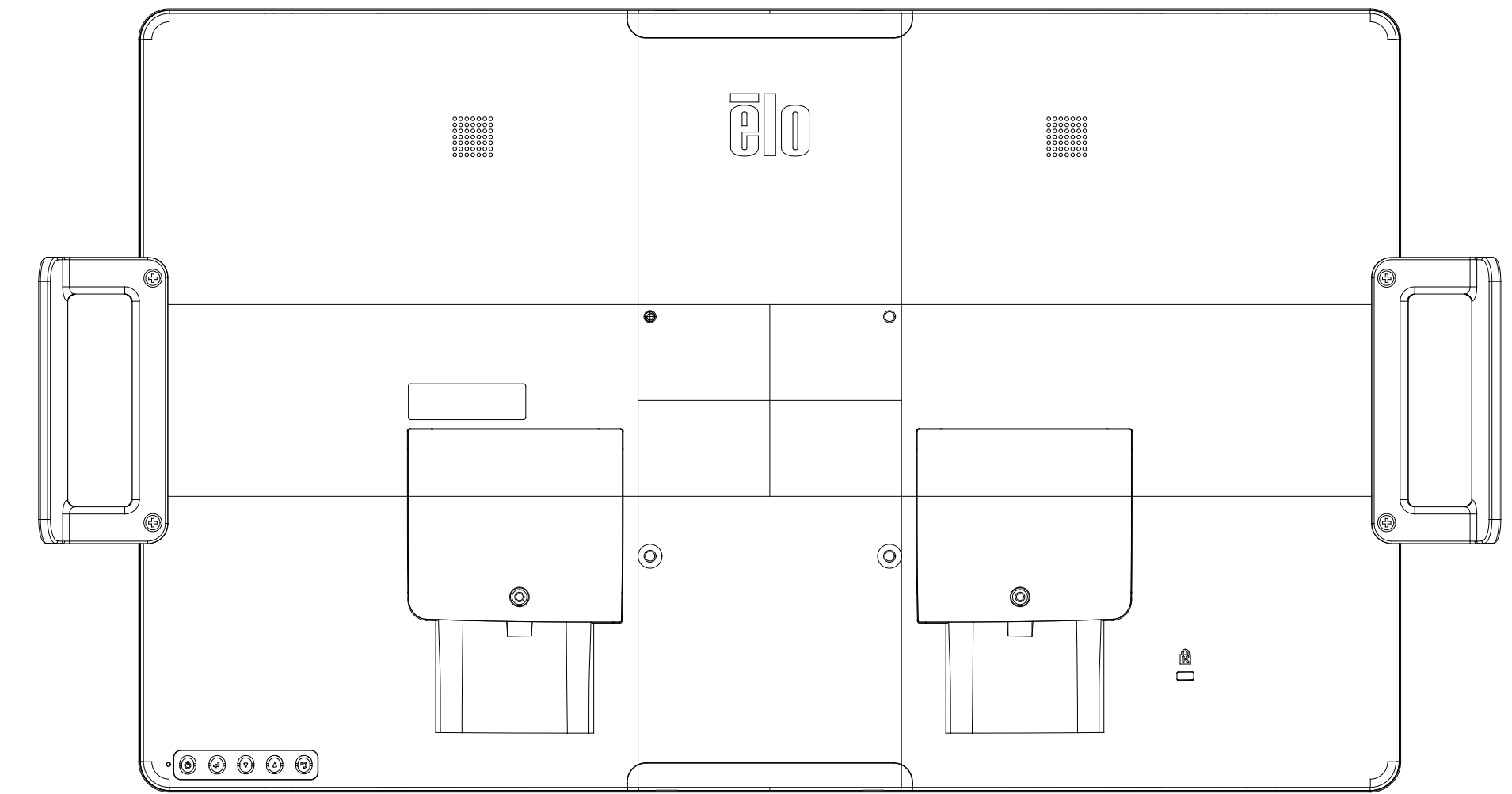
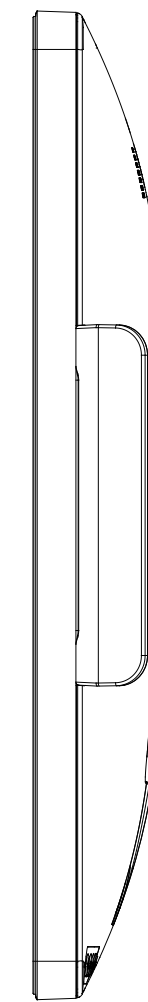
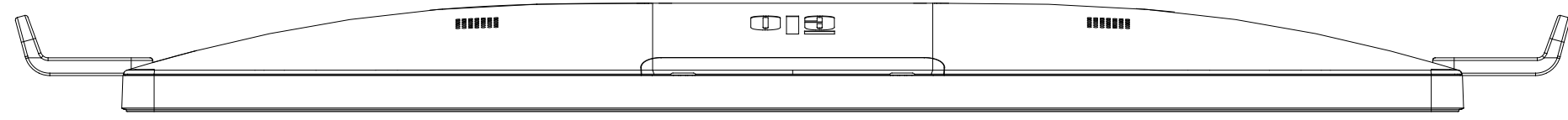


KIT-SELF-SERV-02/03-MONITOR-CENTER-PLATE (P/N E698263)
ORDERED SEPARATELY, CUSTOMER ASSEMBLED
(PROVIDES A CENTERED VESA PATTERN)

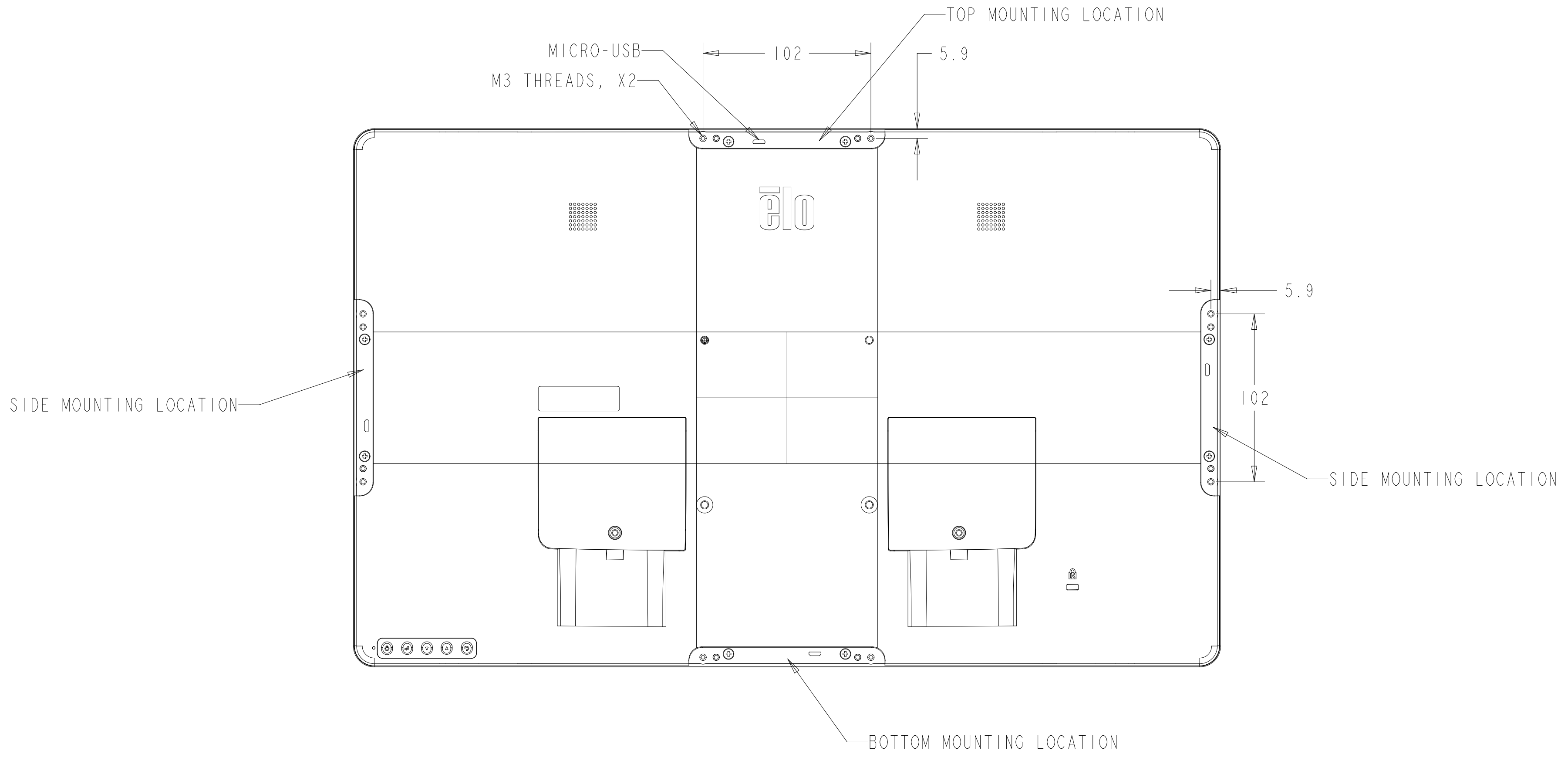
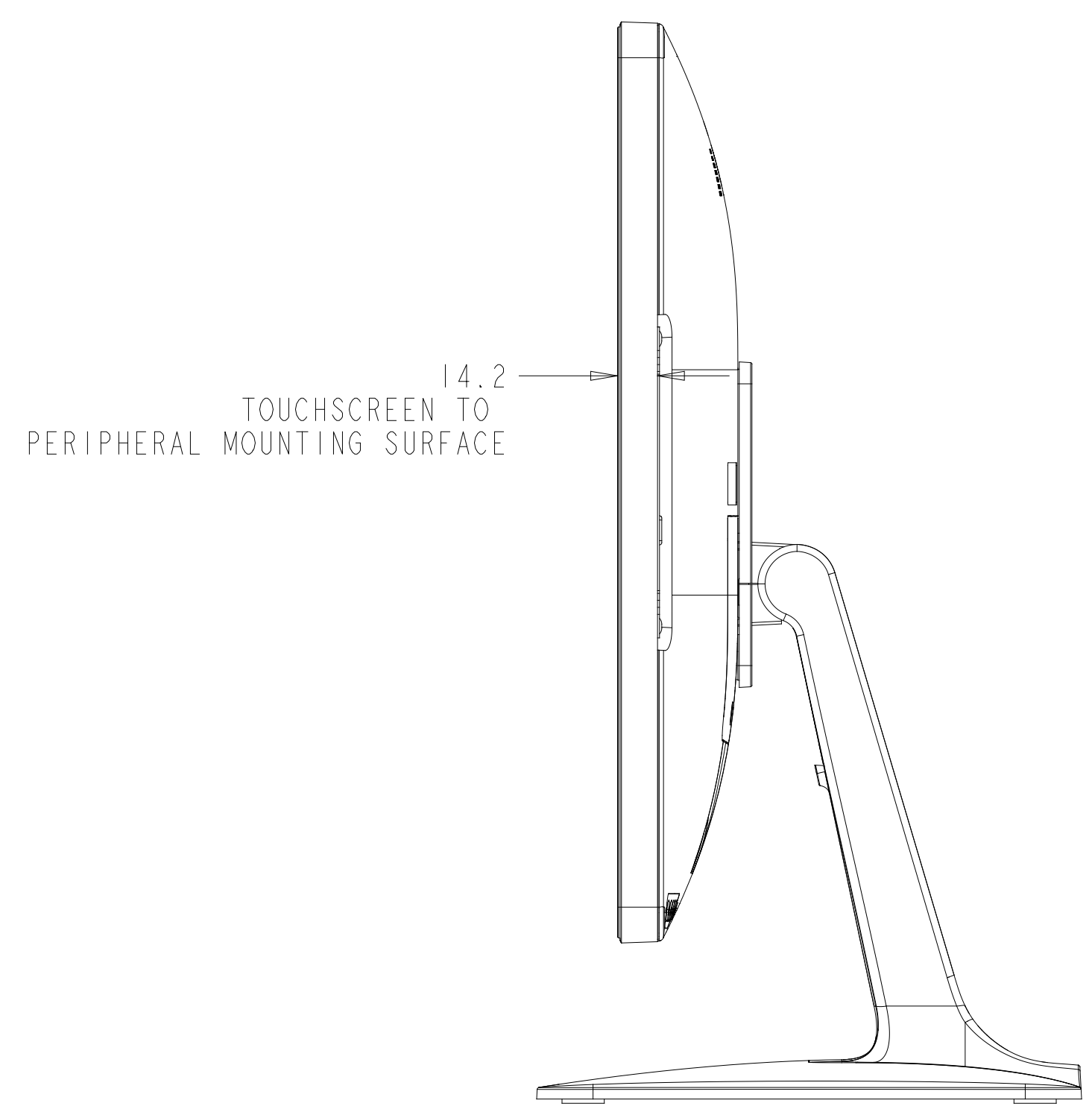


HANDLE KIT P/N E352196
ORDERED SEPARATELY, CUSTOMER ASSEMBLED
2 HANDLES WITH MOUNTING SCREWS INCLUDED IN KIT
HANDLES CAN BE ASSEMBLED ON ANY OF THE FOUR SIDES

HANDLES ARE INTENDED TO ADJUST TILT OF DISPLAY.
DO NOT CARRY TOUCHMONITOR USING HANDLES.



ELO PERIPHERAL MOUNTING INTERFACE
ONE MOUNTING LOCATION ON EACH SIDE (4 TOTAL)



STAND NOT SHOWN FOR CLARITY