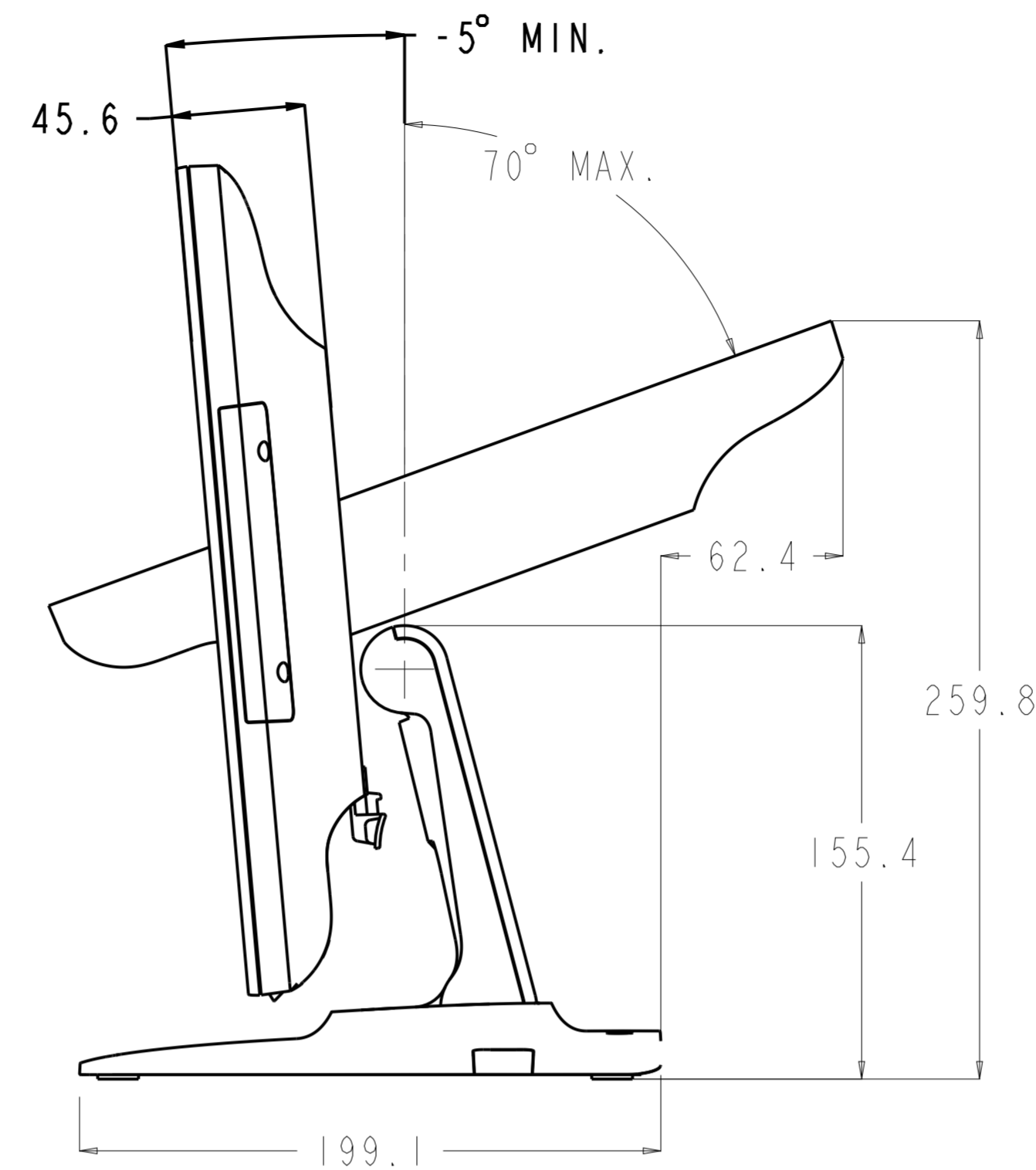
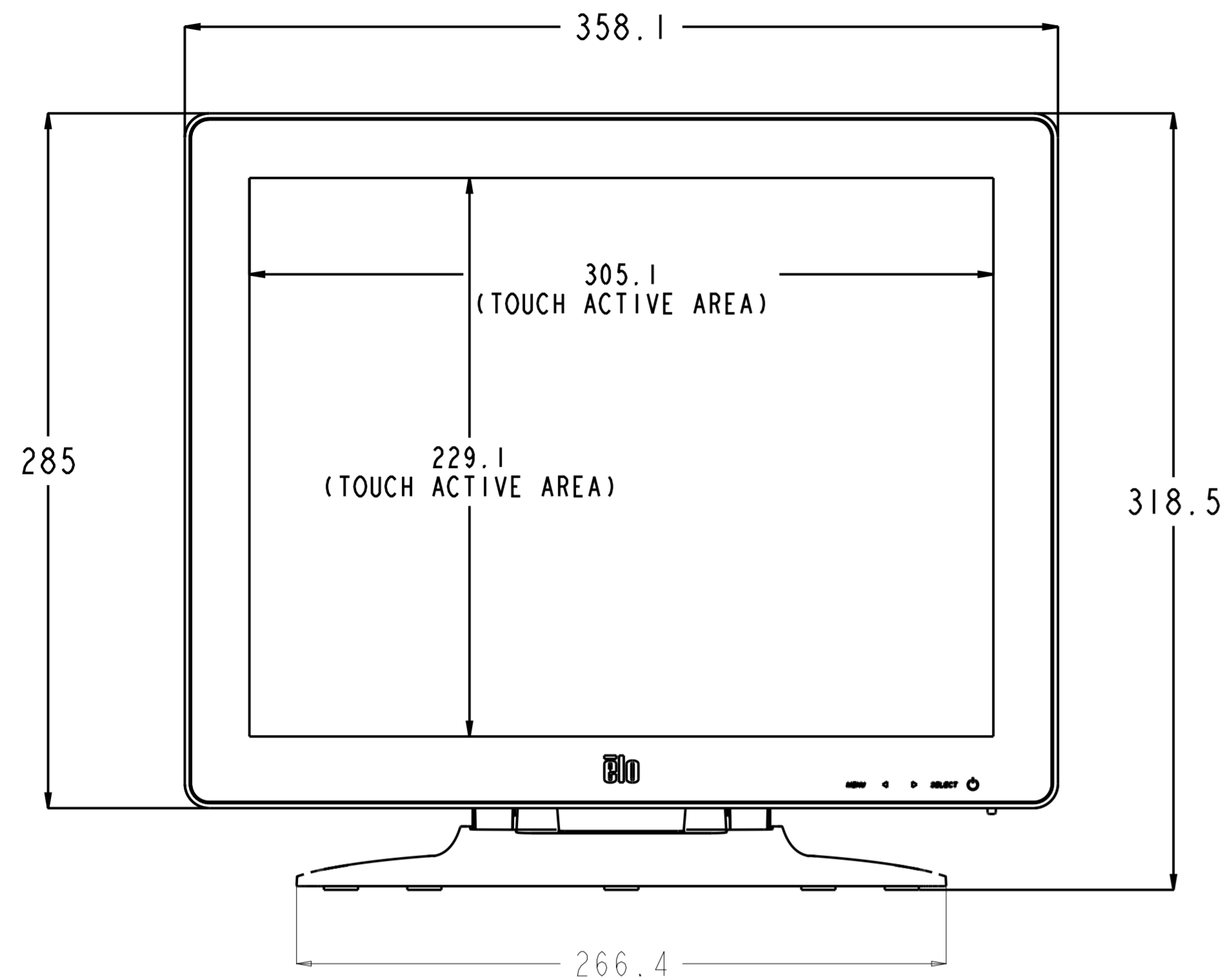
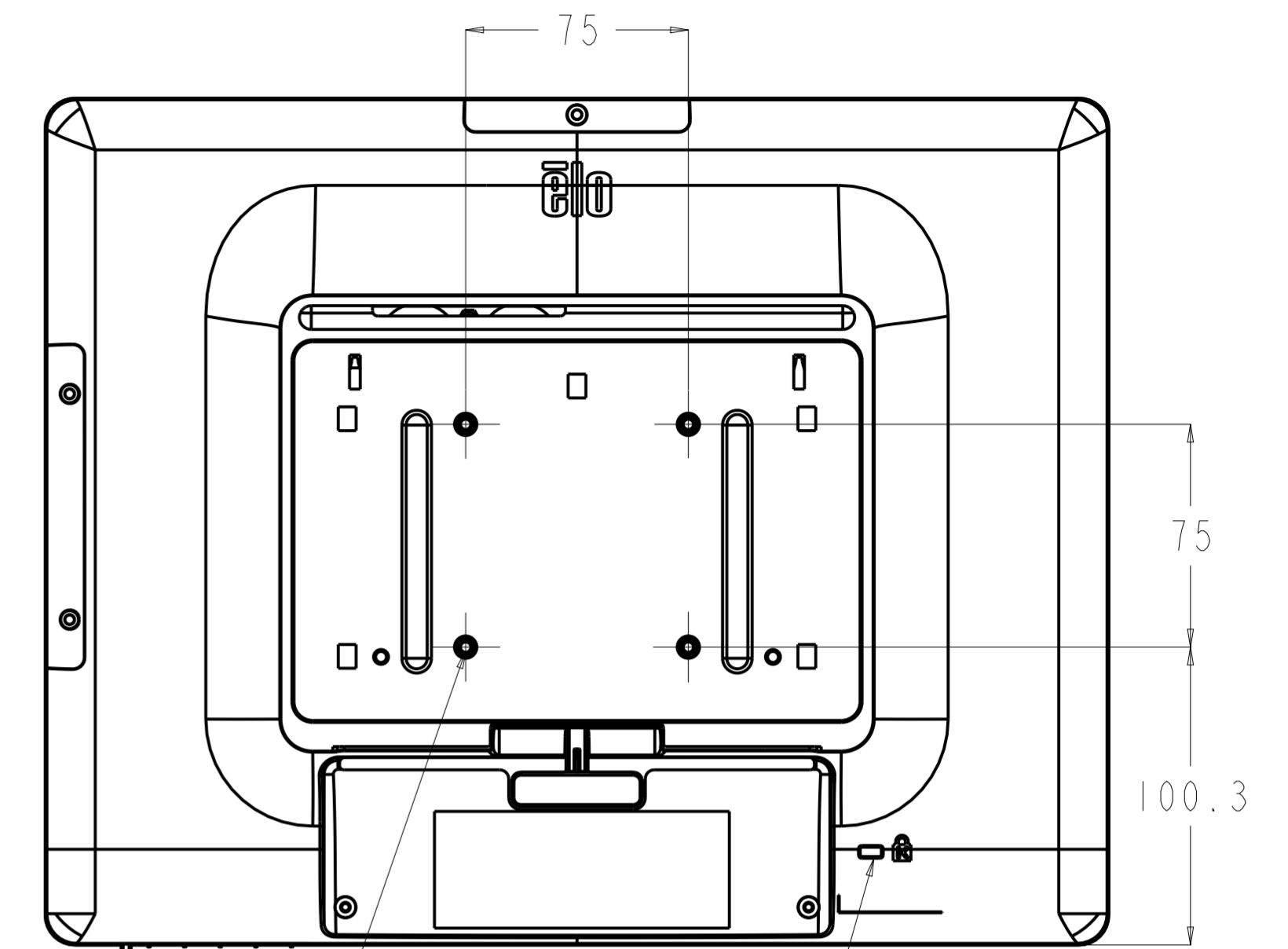


SEE PG. 2 FOR 1723  
SEE PG. 3 FOR ACCESSORIES

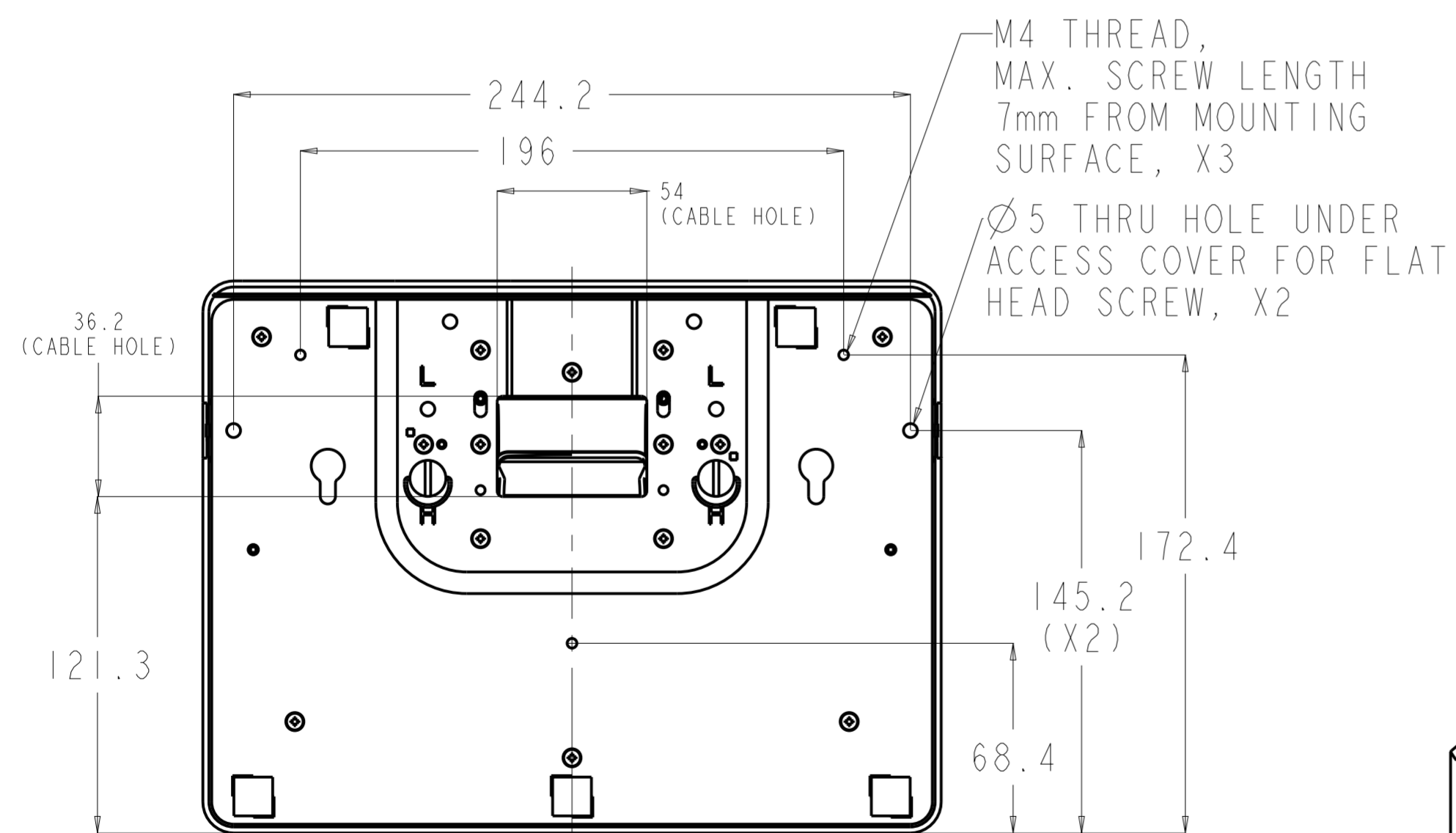


DISPLAY ANGLE RANGE  
IN HIGH POSITION



M4 THREAD,  
MAX. SCREW LENGTH  
7mm FROM MOUNTING  
SURFACE, X4

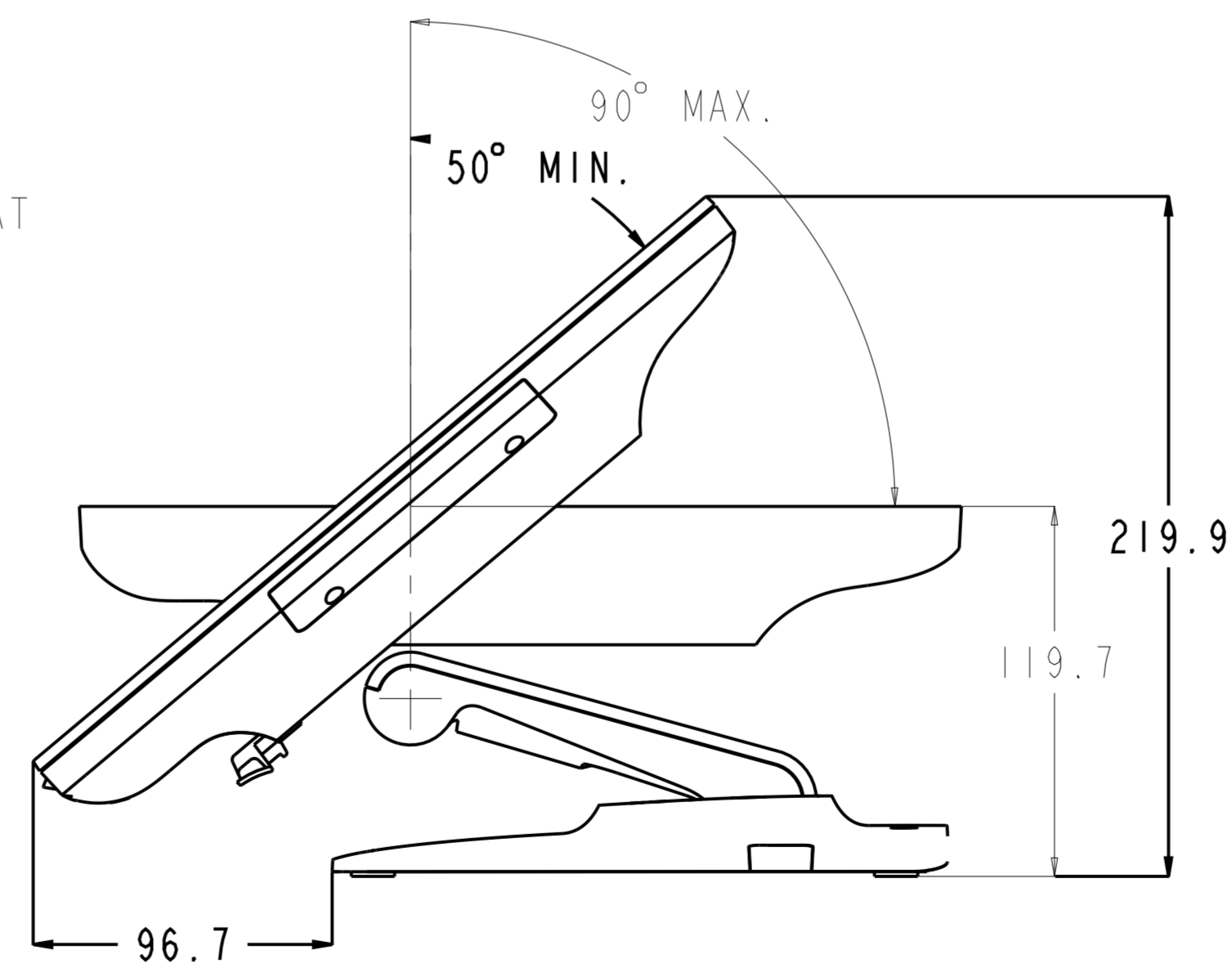
KENSINGTON LOCK  
RECEPTICAL



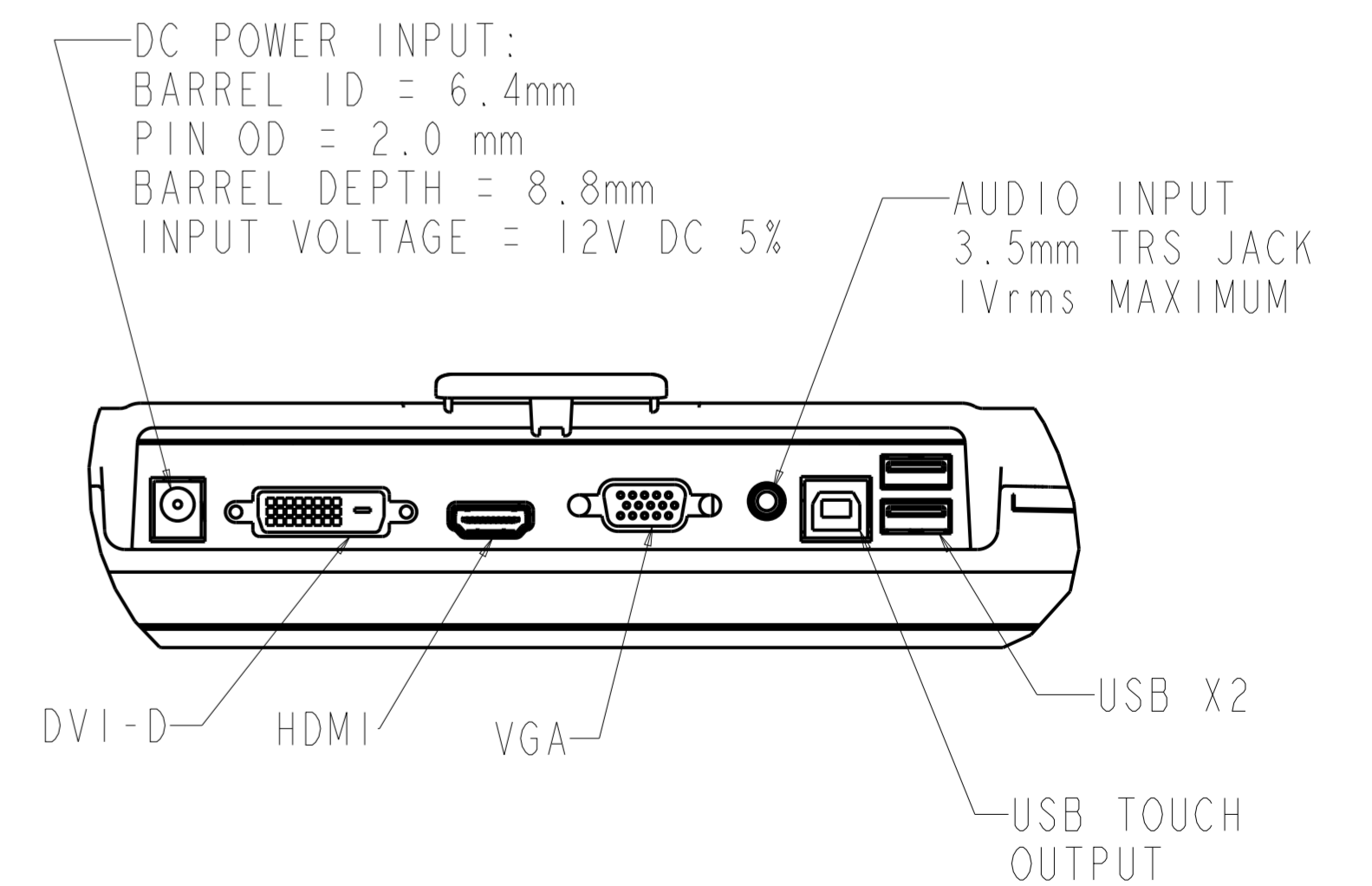
M4 THREAD,  
MAX. SCREW LENGTH  
7mm FROM MOUNTING  
SURFACE, X3

Ø5 THRU HOLE UNDER  
ACCESS COVER FOR FLAT  
HEAD SCREW, X2

1523 STAND BOTTOM VIEW

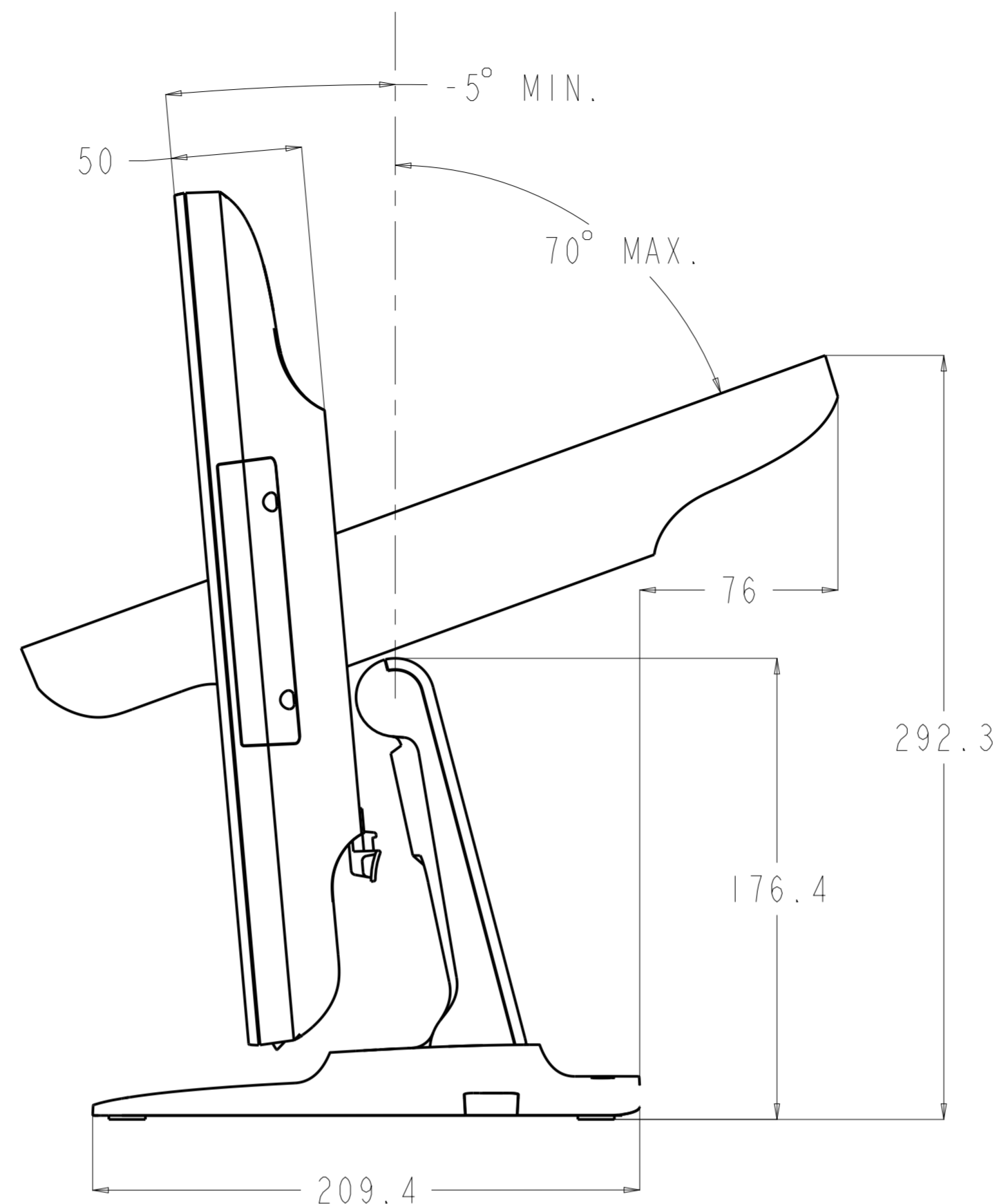
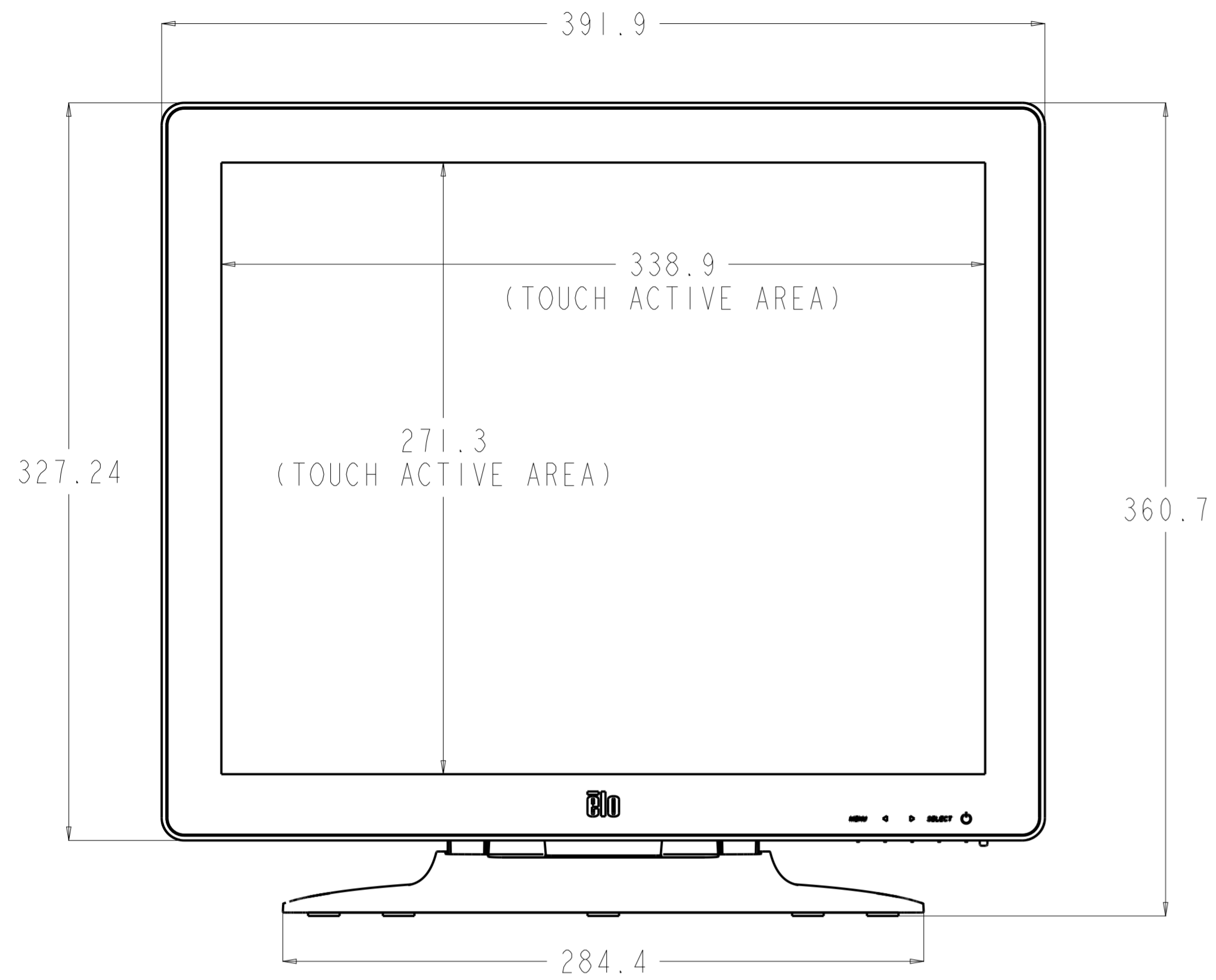


DISPLAY ANGLE RANGE  
IN LOW POSITION

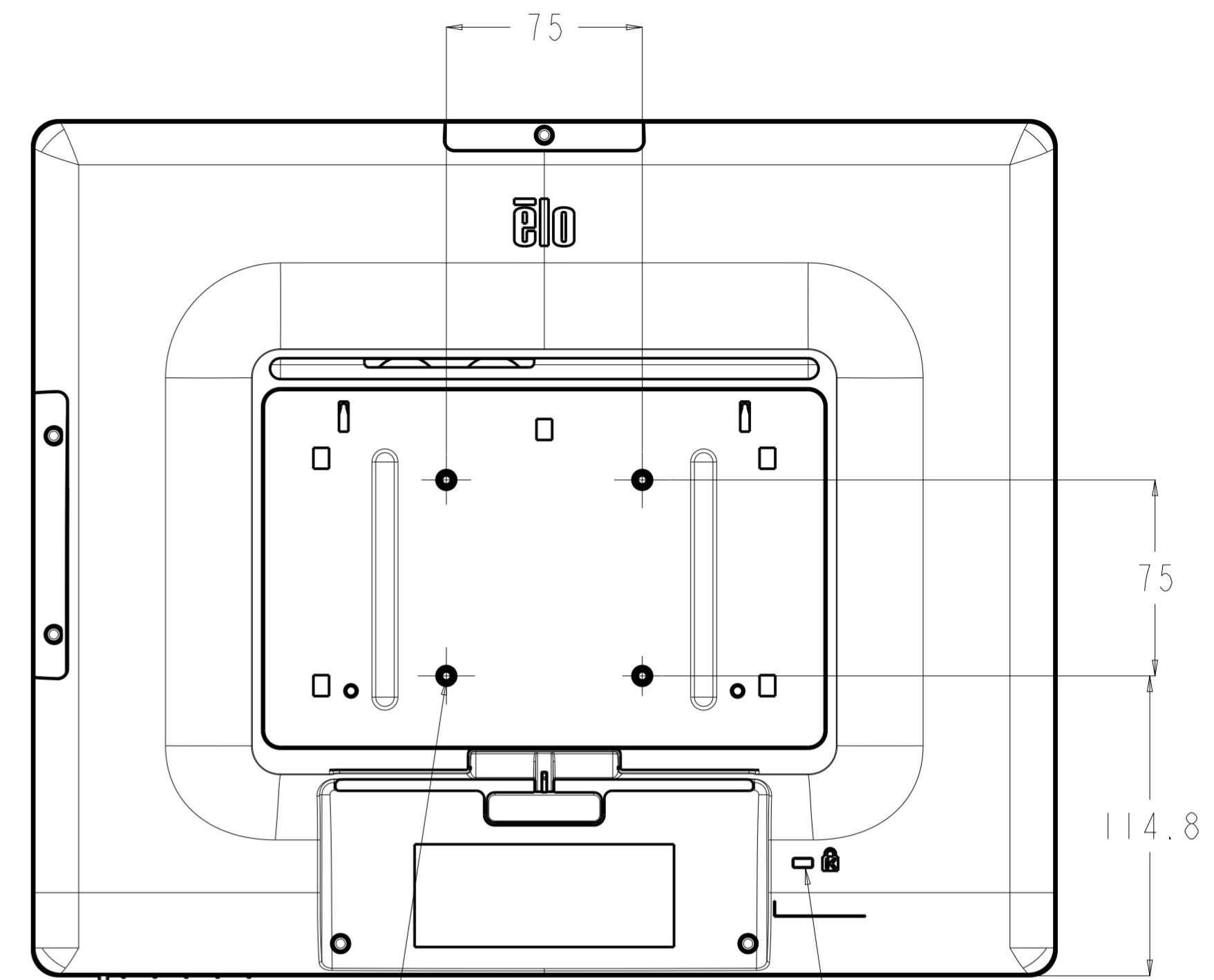


1523 / 1723 INPUTS / OUTPUTS

SEE PG. 1 FOR 1523

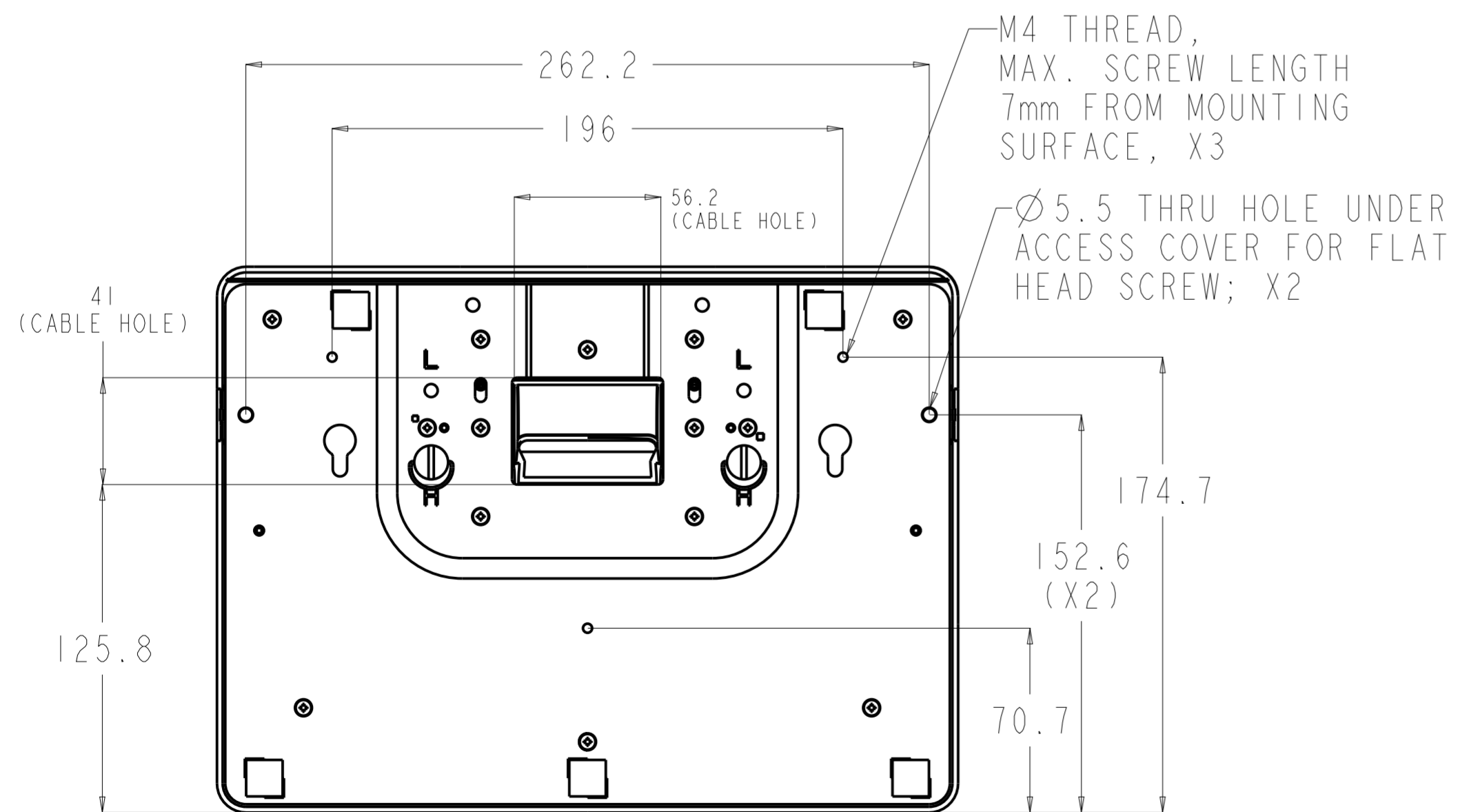


DISPLAY ANGLE RANGE IN HIGH POSITION



M4 THREAD, MAX. SCREW LENGTH 7mm FROM MOUNTING SURFACE, X4

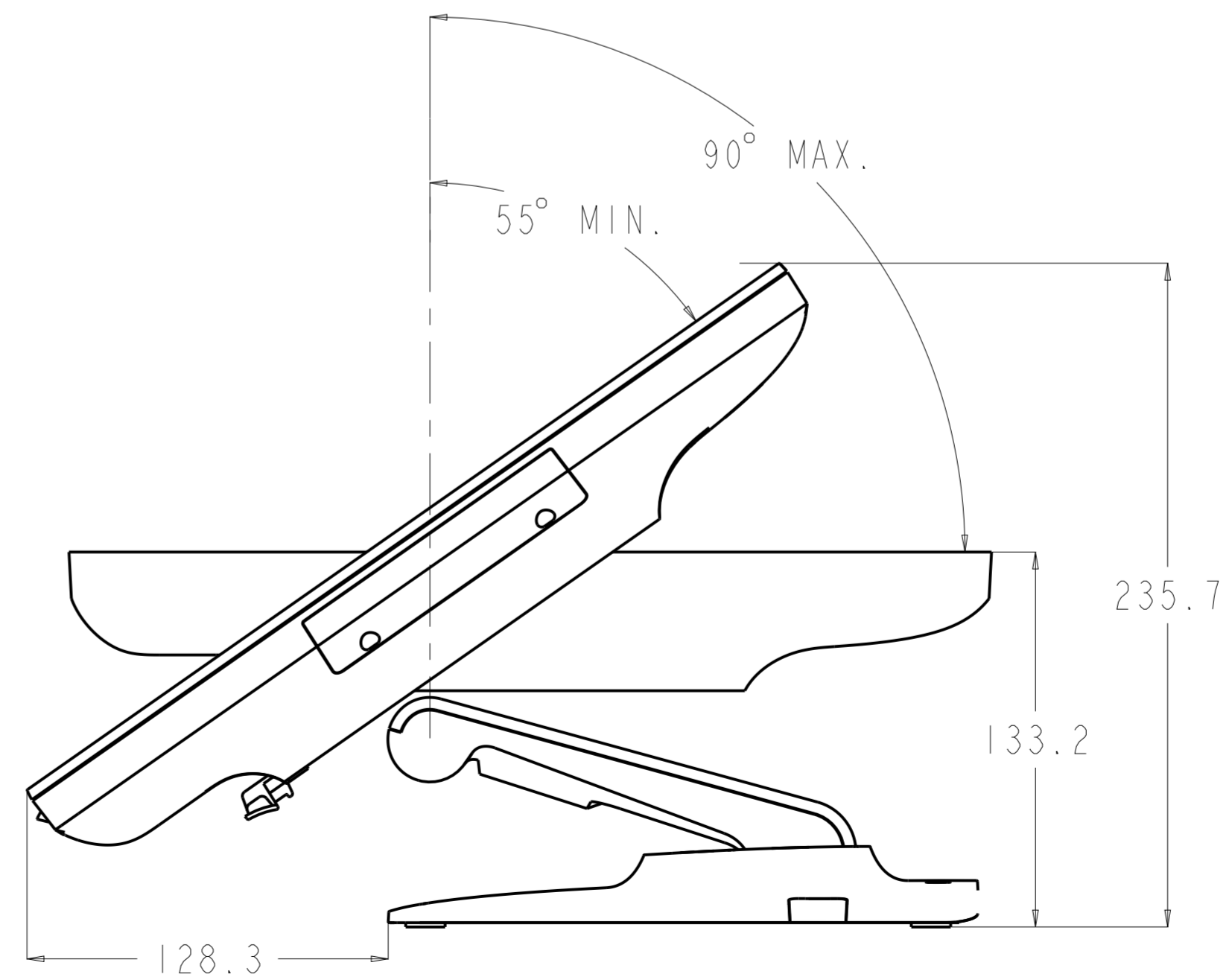
KENSINGTON LOCK RECEPTICAL



M4 THREAD, MAX. SCREW LENGTH 7mm FROM MOUNTING SURFACE, X3

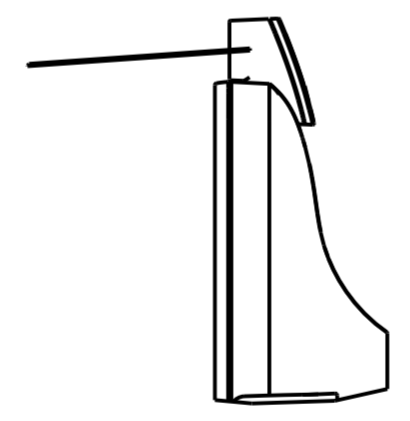
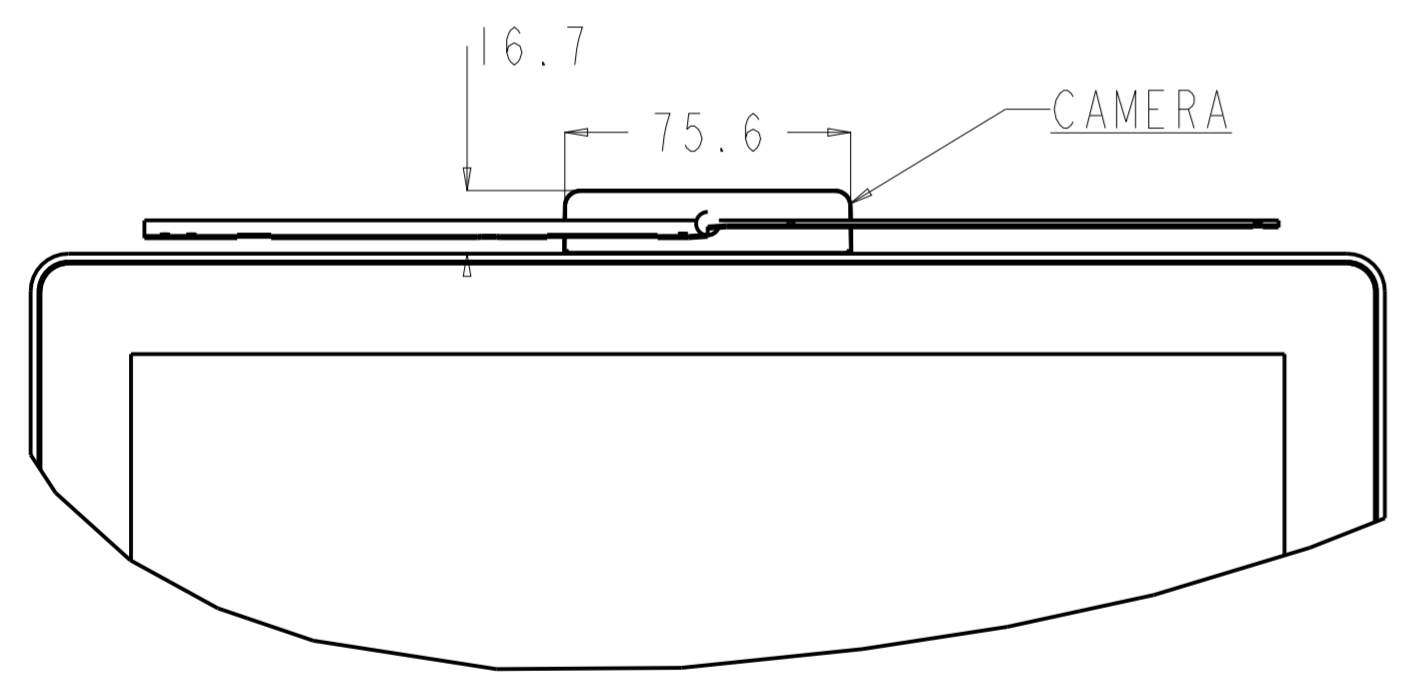
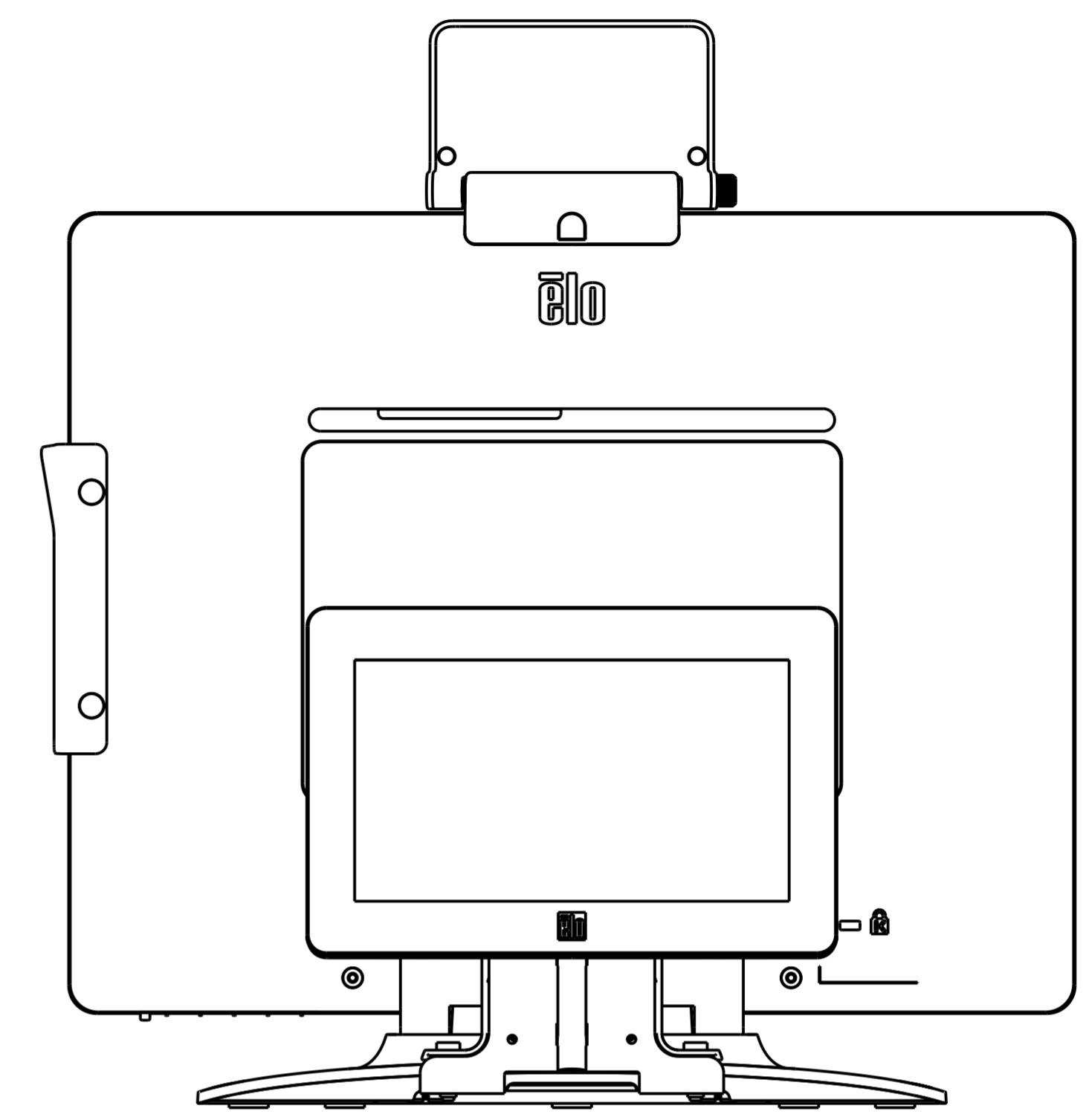
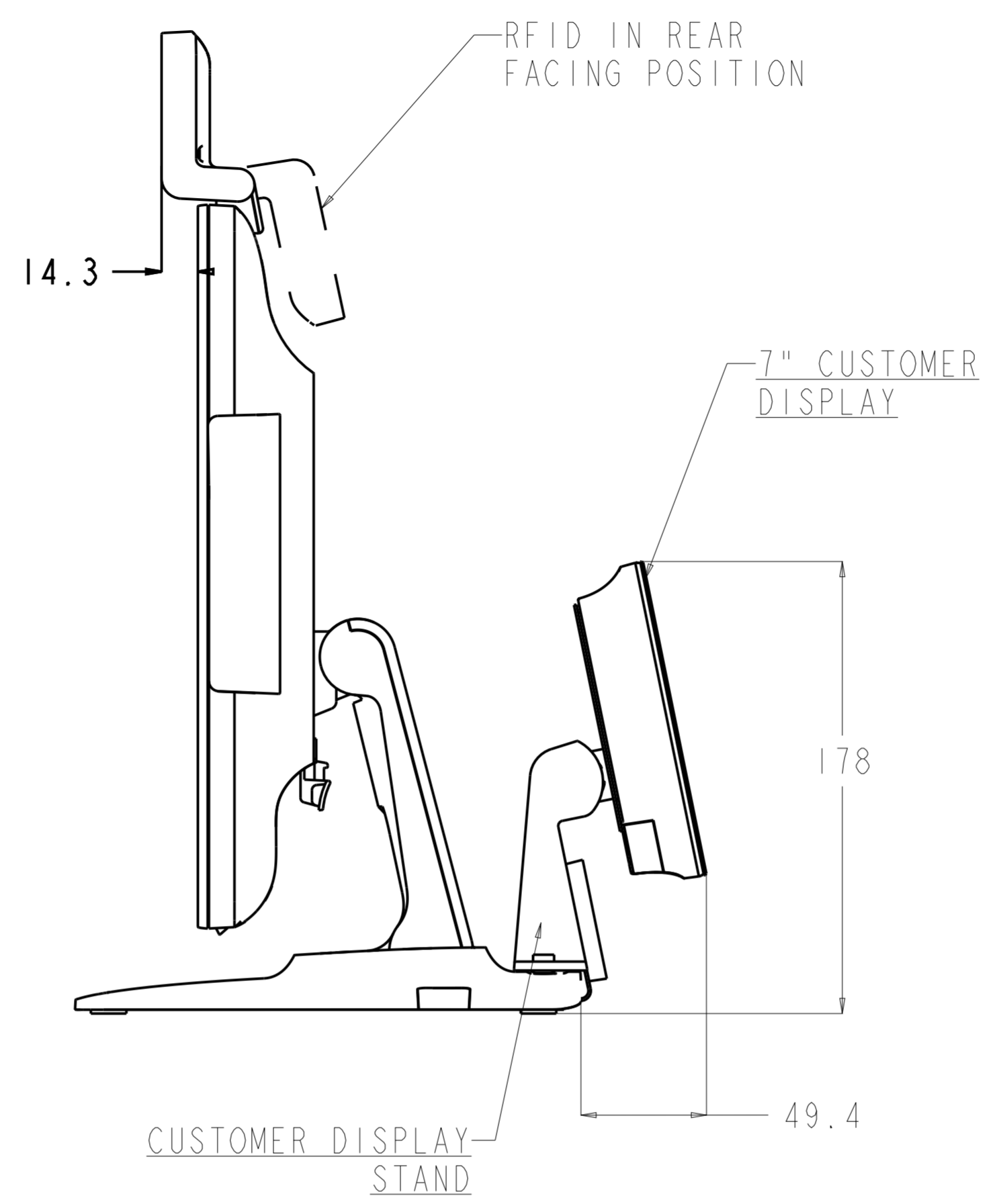
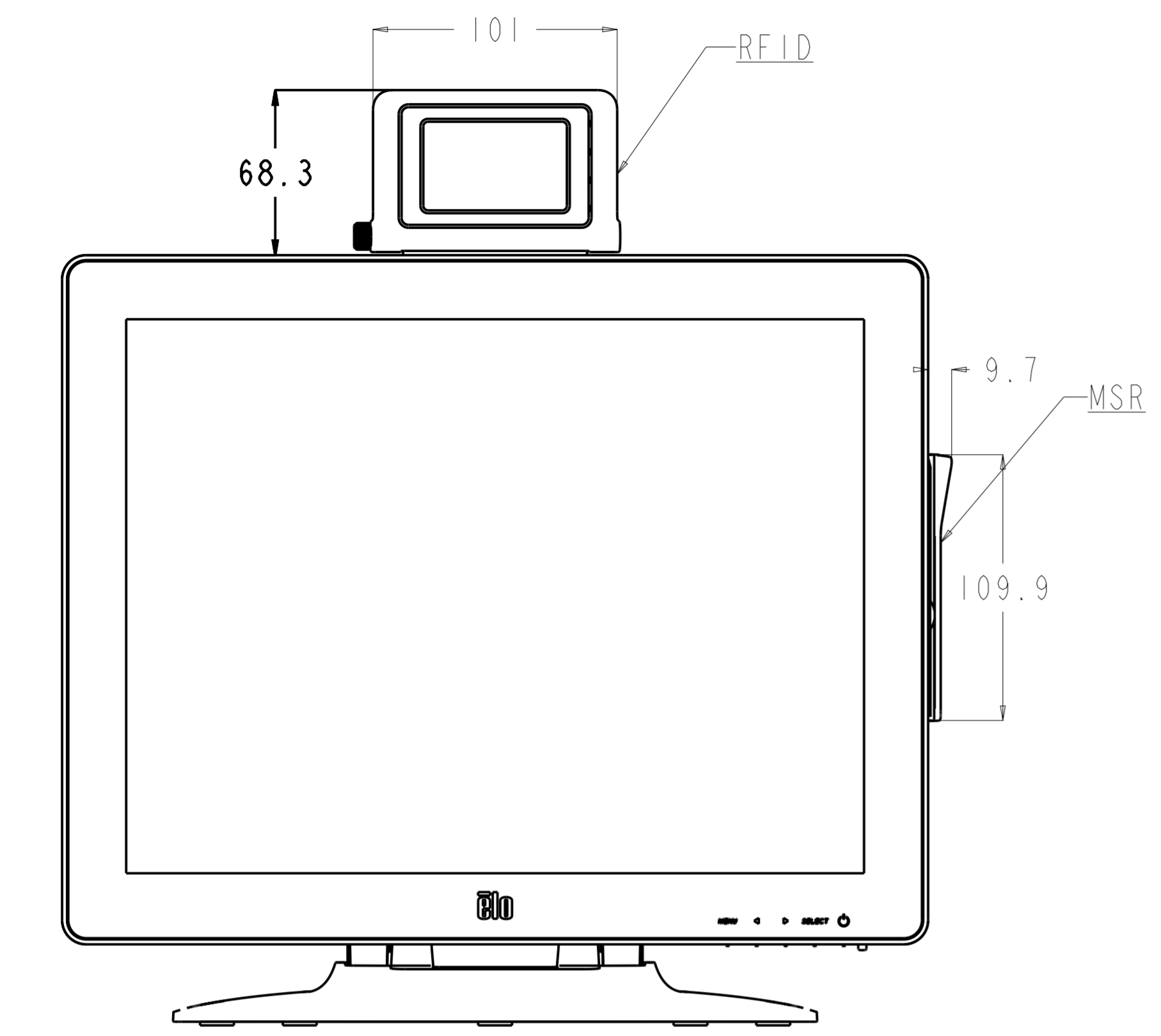
Ø 5.5 THRU HOLE UNDER ACCESS COVER FOR FLAT HEAD SCREW; X2

1723 STAND BOTTOM VIEW



DISPLAY ANGLE RANGE IN LOW POSITION

OPTIONAL ACCESSORIES



VESA FILL PLATE

- E000448 - 1523L BLACK
- E000449 - 1523L WHITE
- E000450 - 1723L BLACK
- E000451 - 1723L WHITE

