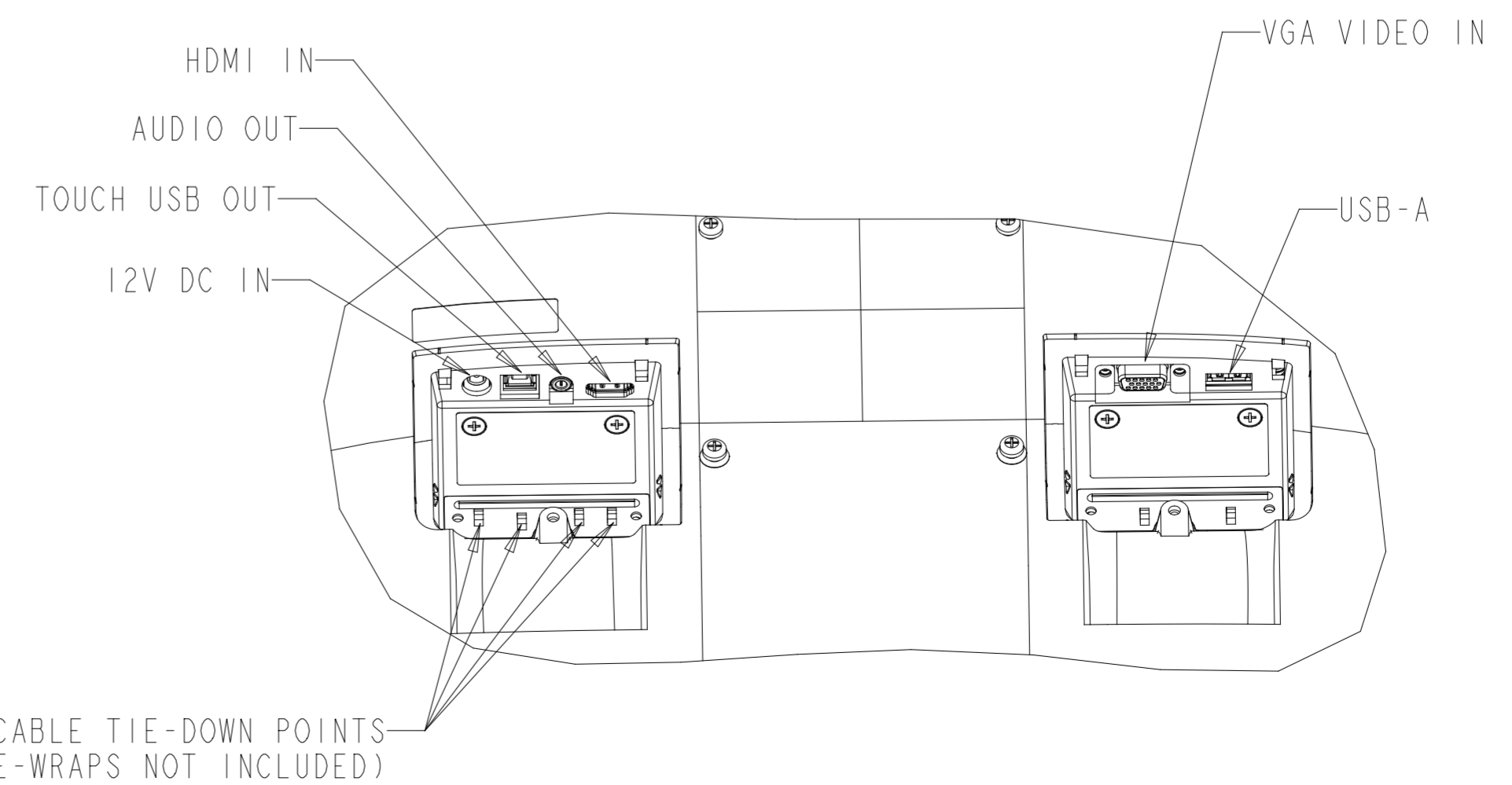
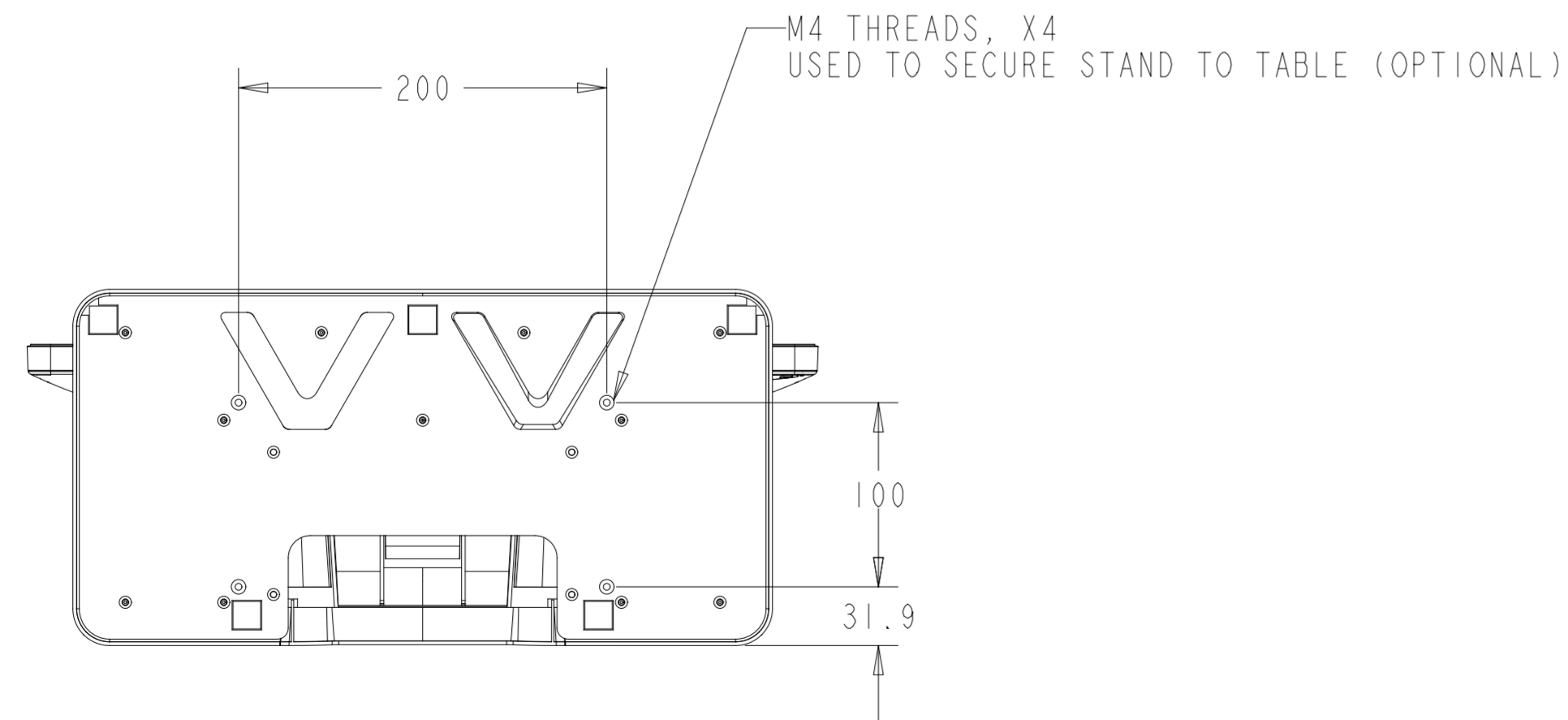
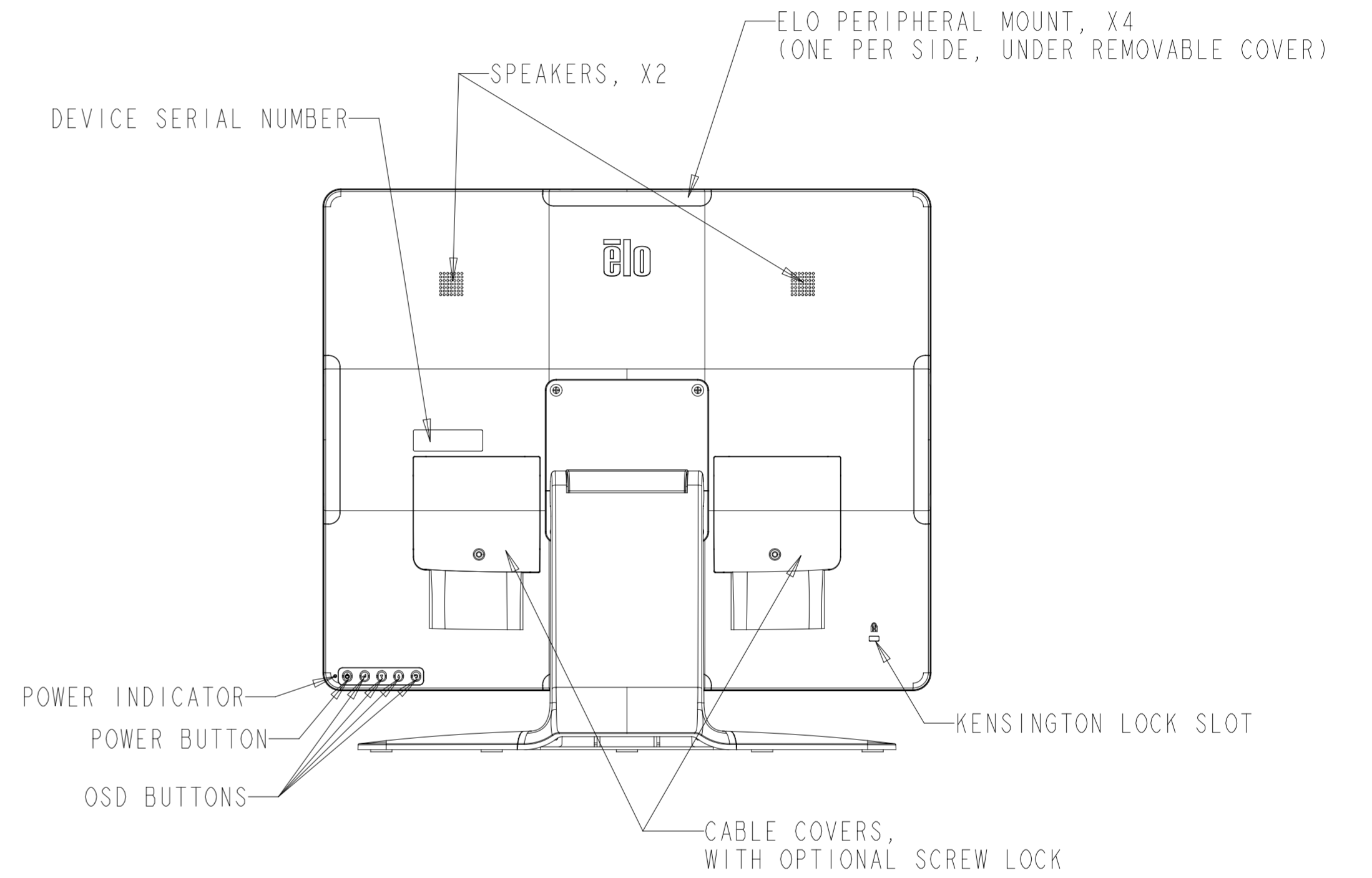
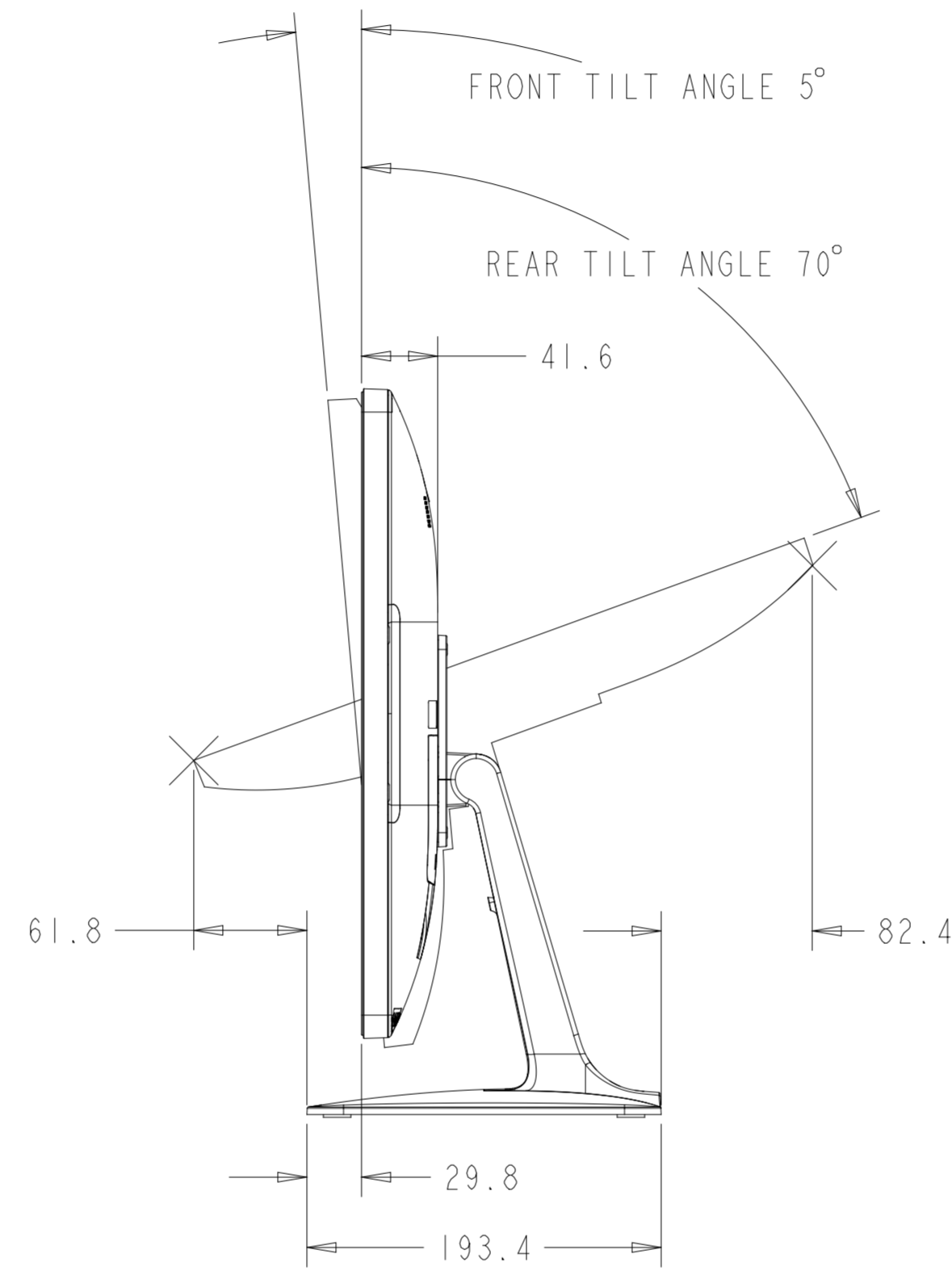
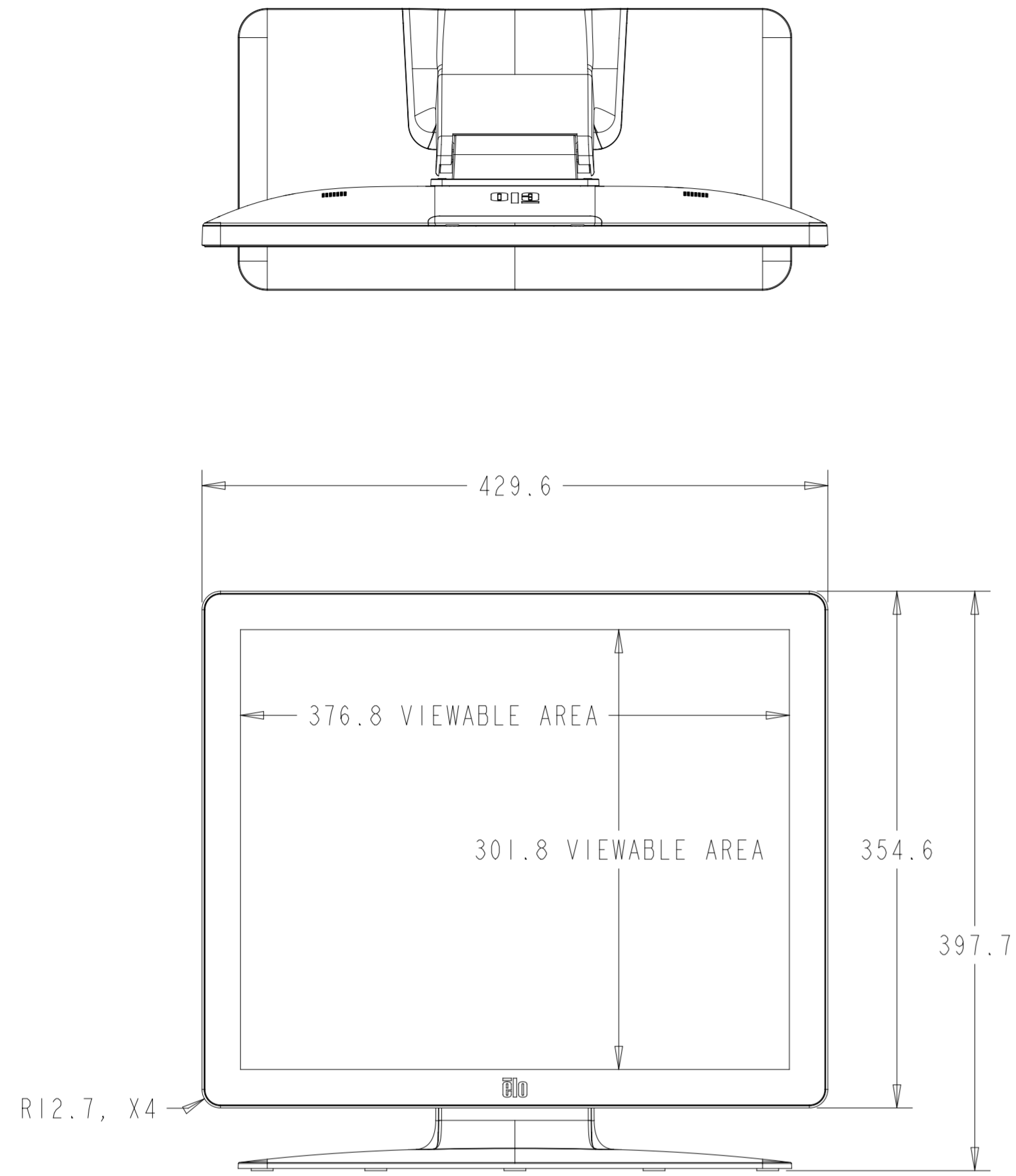
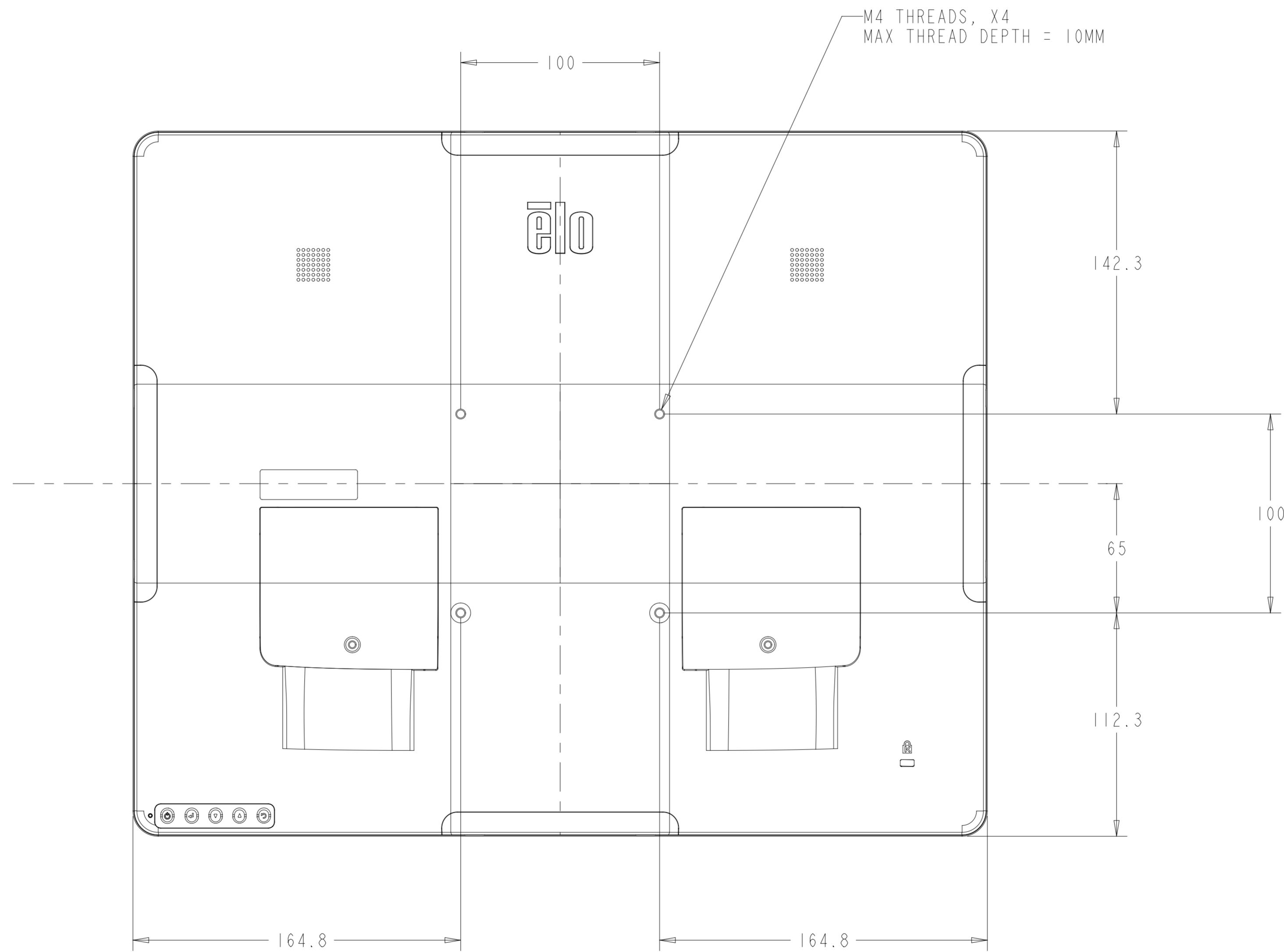


SHOWN WITH OPTIONAL STAND
 STAND ALSO SOLD SEPARATELY: P/N E804330 (BLACK), P/N E808963 (WHITE)

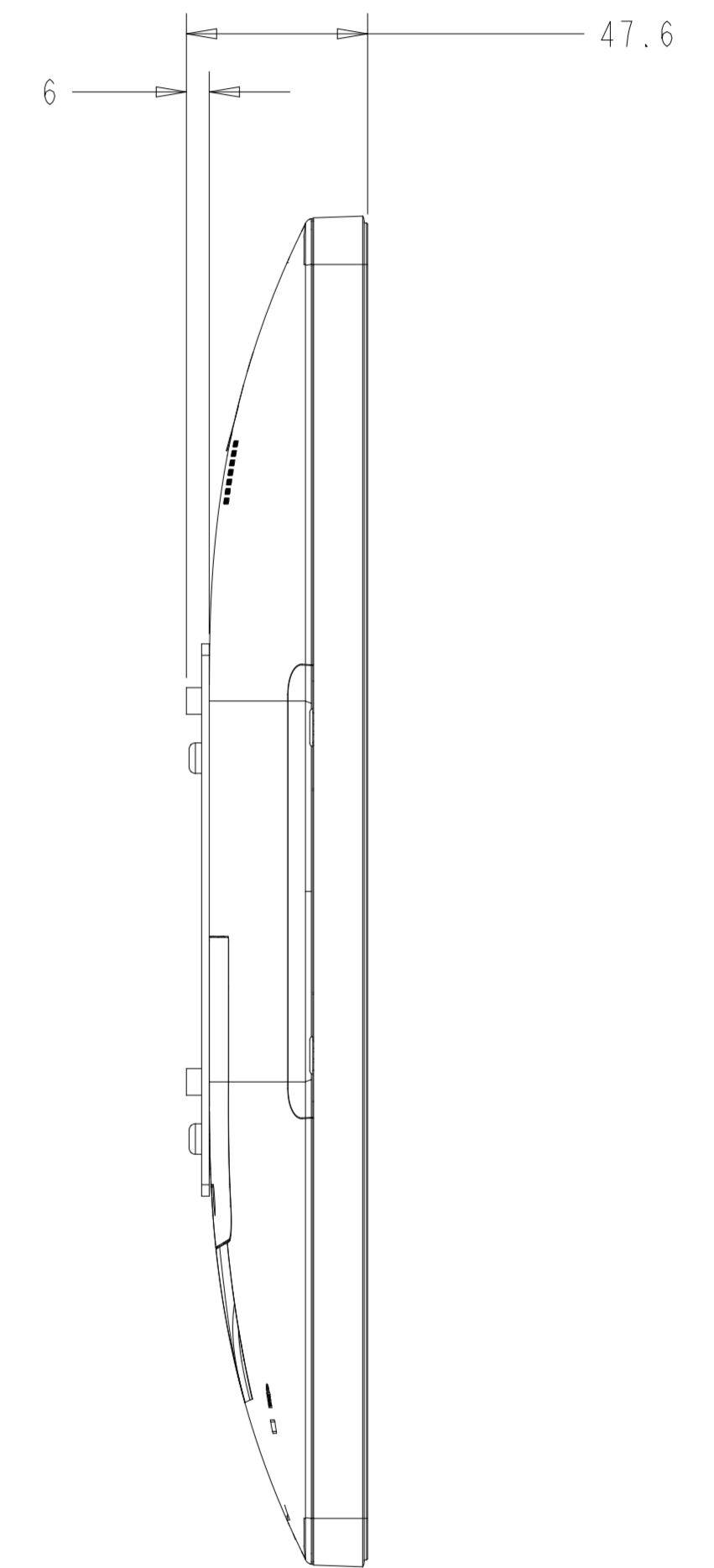
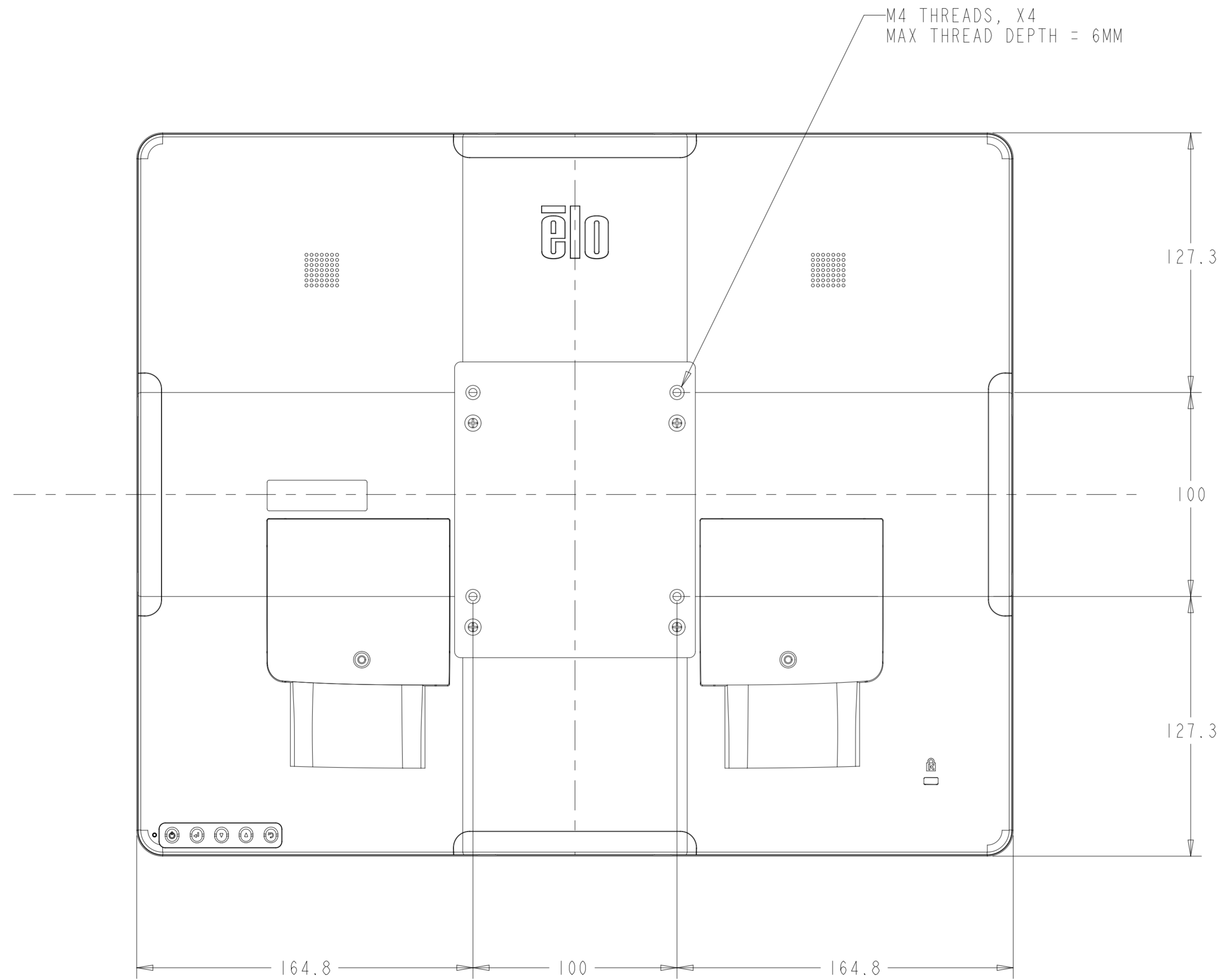


VESA MOUNTING
VESA MIS-D, 100, C

REMOVE STAND TO ACCESS VESA MOUNTING INTERFACE

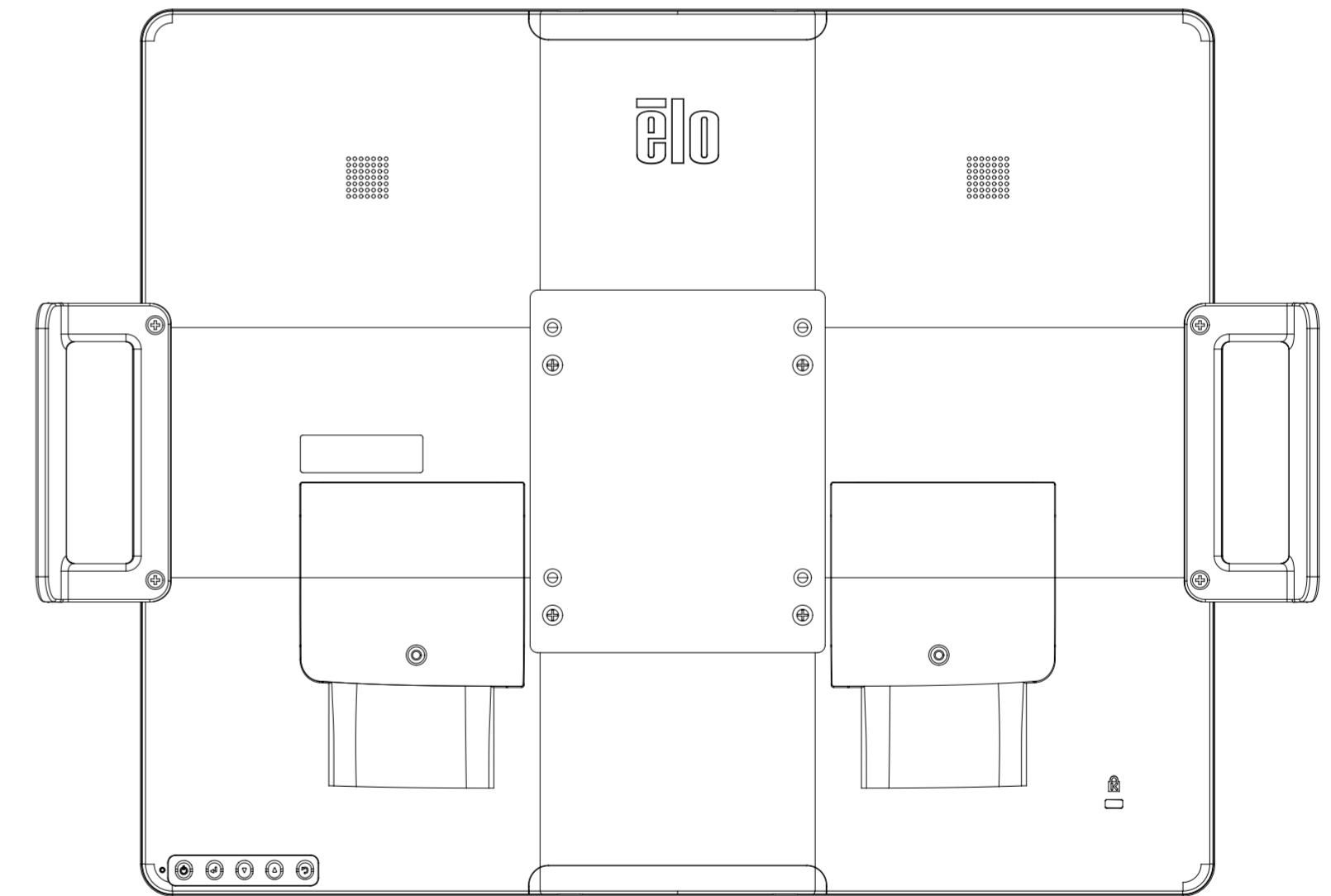
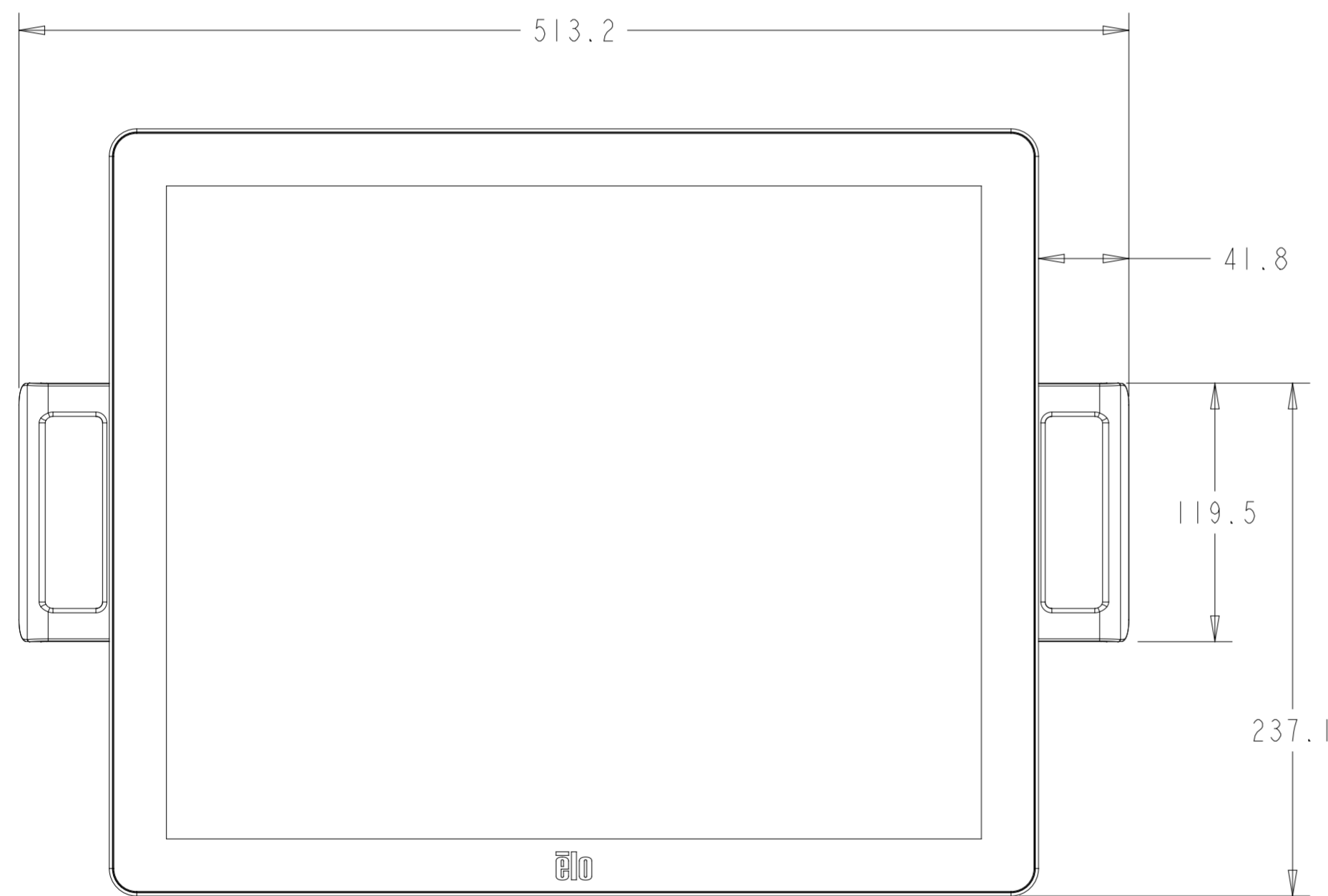
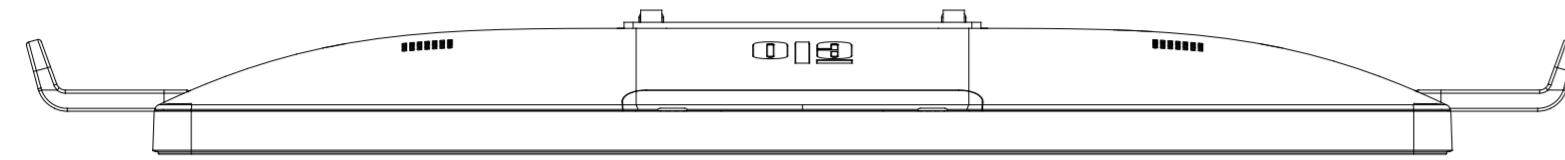


KIT-SELF-SERV-02/03-MONITOR-CENTER-PLATE (P/N E698263)
ORDERED SEPARATELY, CUSTOMER ASSEMBLED
(PROVIDES A CENTERED VESA PATTERN)



HANDLE KIT P/N E352196
ORDERED SEPARATELY, CUSTOMER ASSEMBLED
2 HANDLES WITH MOUNTING SCREWS INCLUDED IN KIT
HANDLES CAN BE ASSEMBLED ON ANY OF THE FOUR SIDES

HANDLES ARE INTENDED TO ADJUST TILT OF DISPLAY.
DO NOT CARRY TOUCHMONITOR USING HANDLES.



ELO PERIPHERAL MOUNTING INTERFACE
ONE MOUNTING LOCATION ON EACH SIDE (4 TOTAL)

