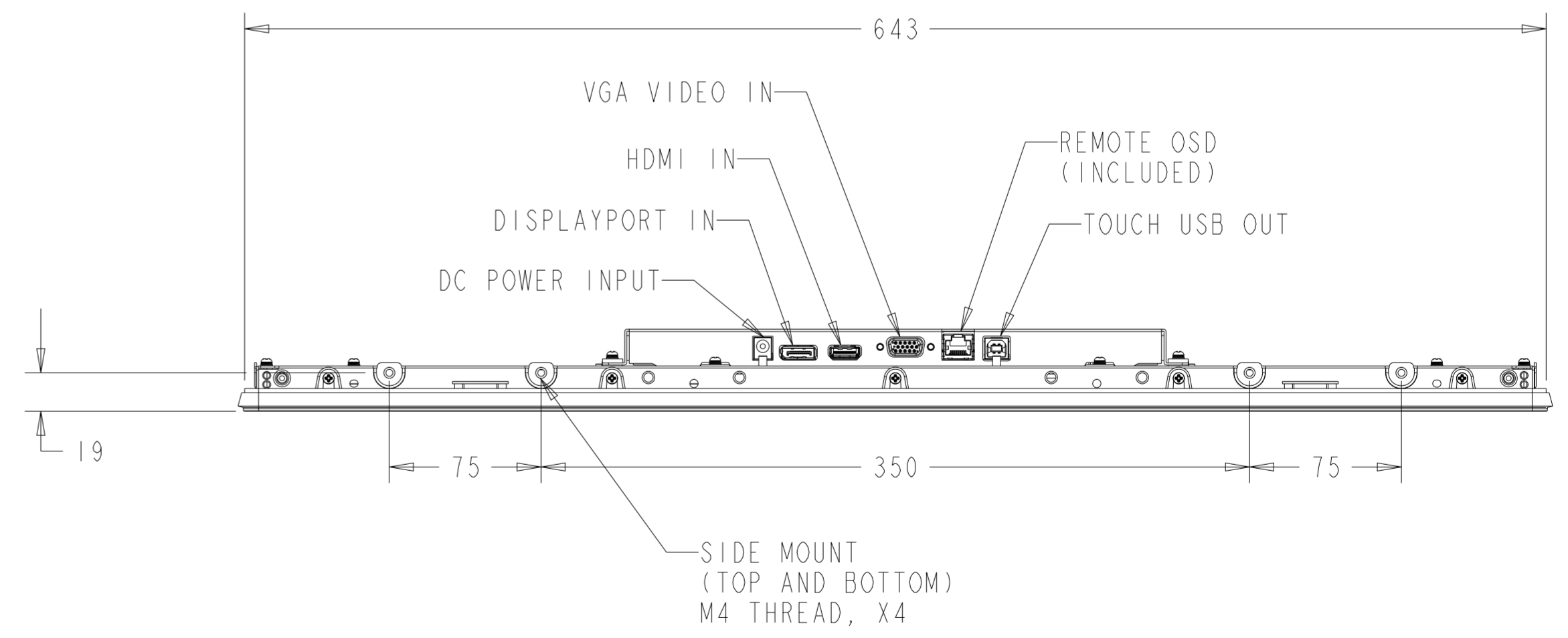
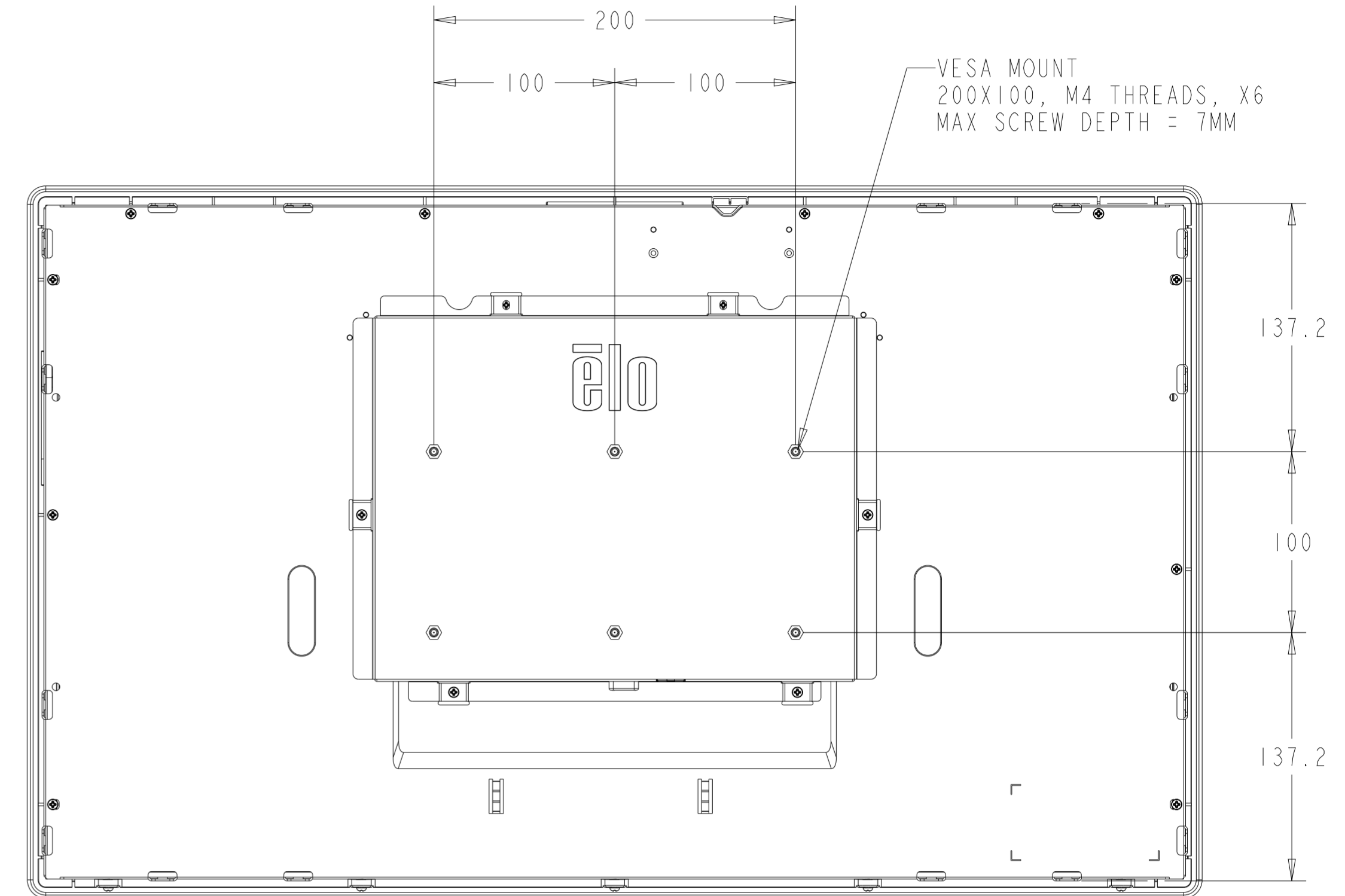
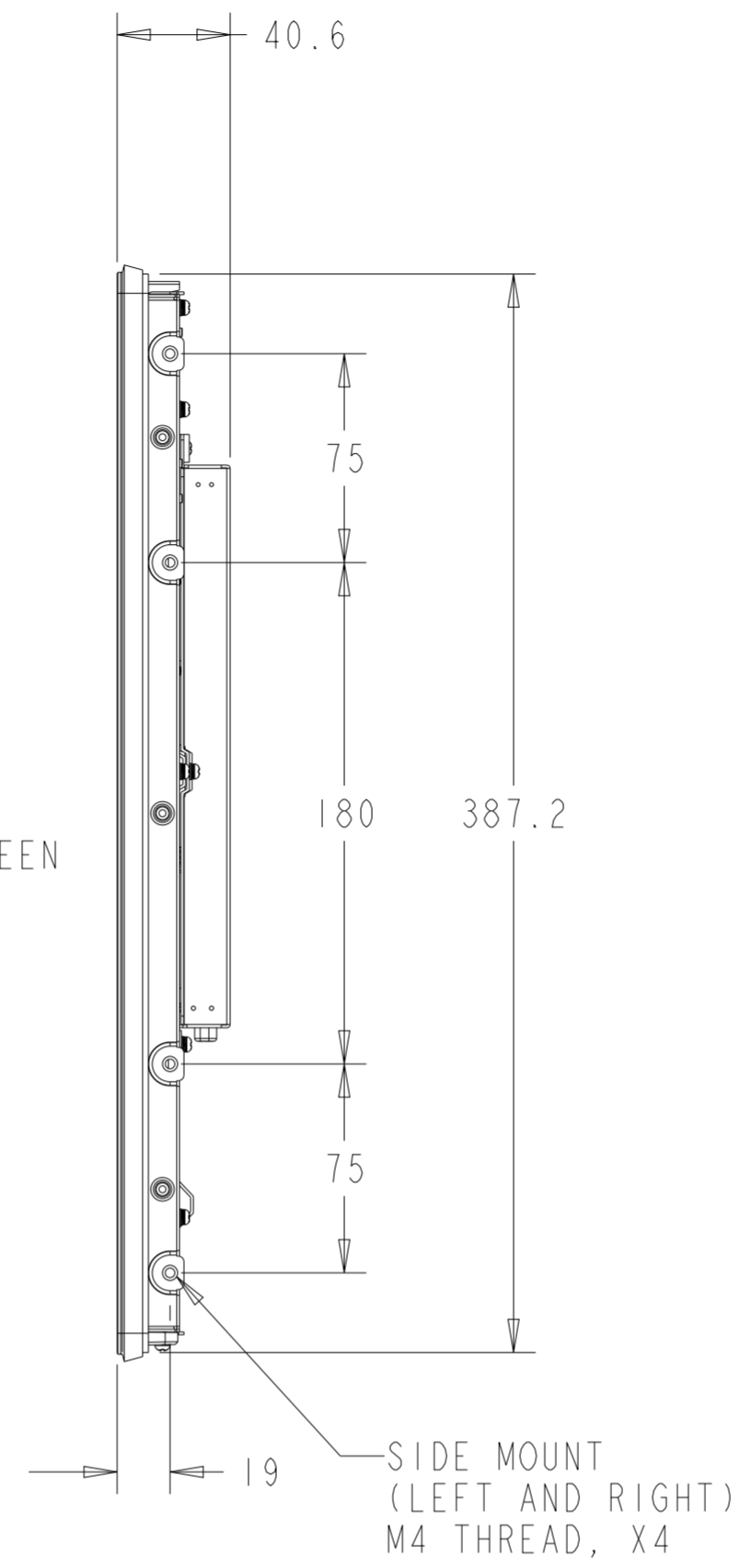
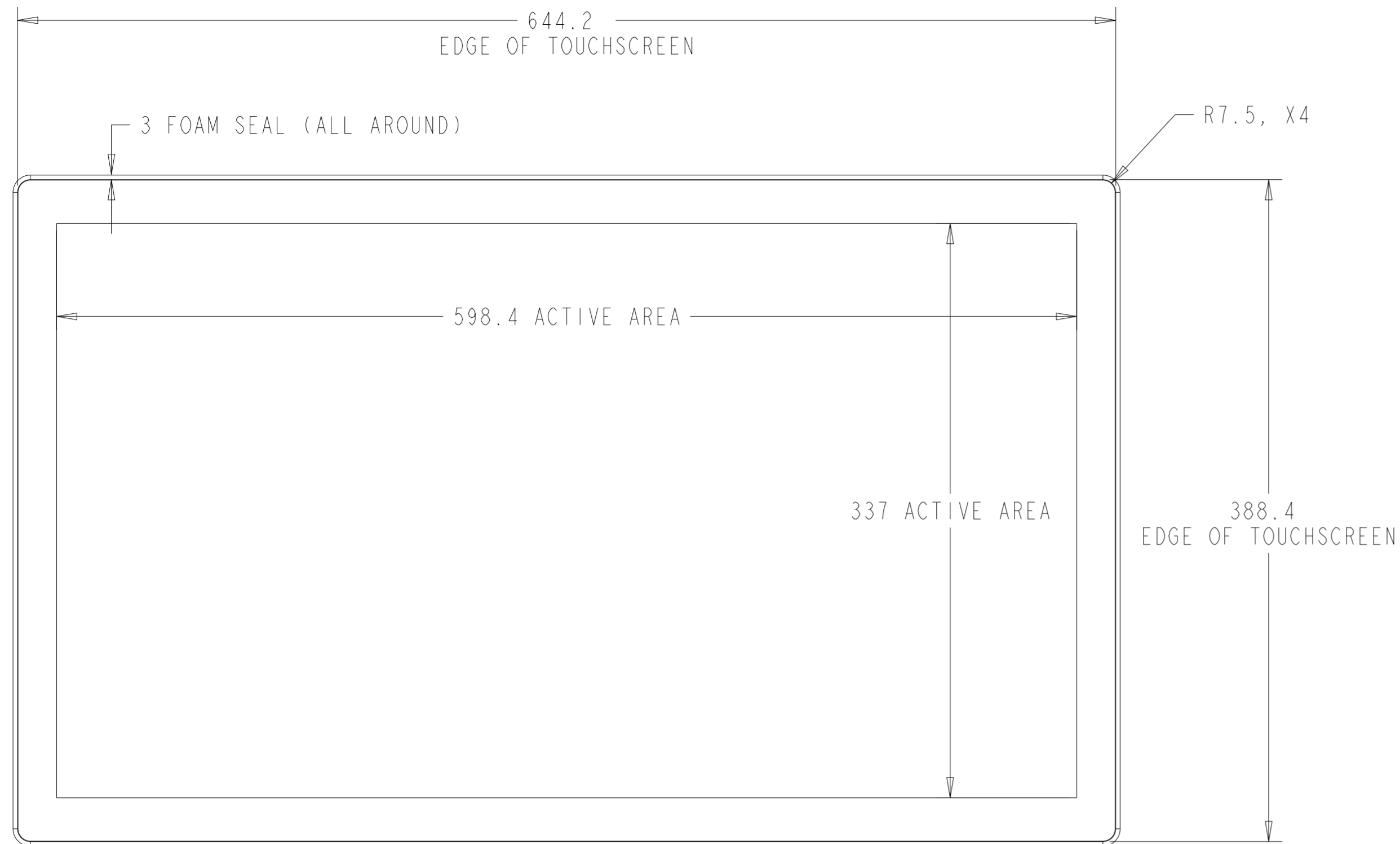
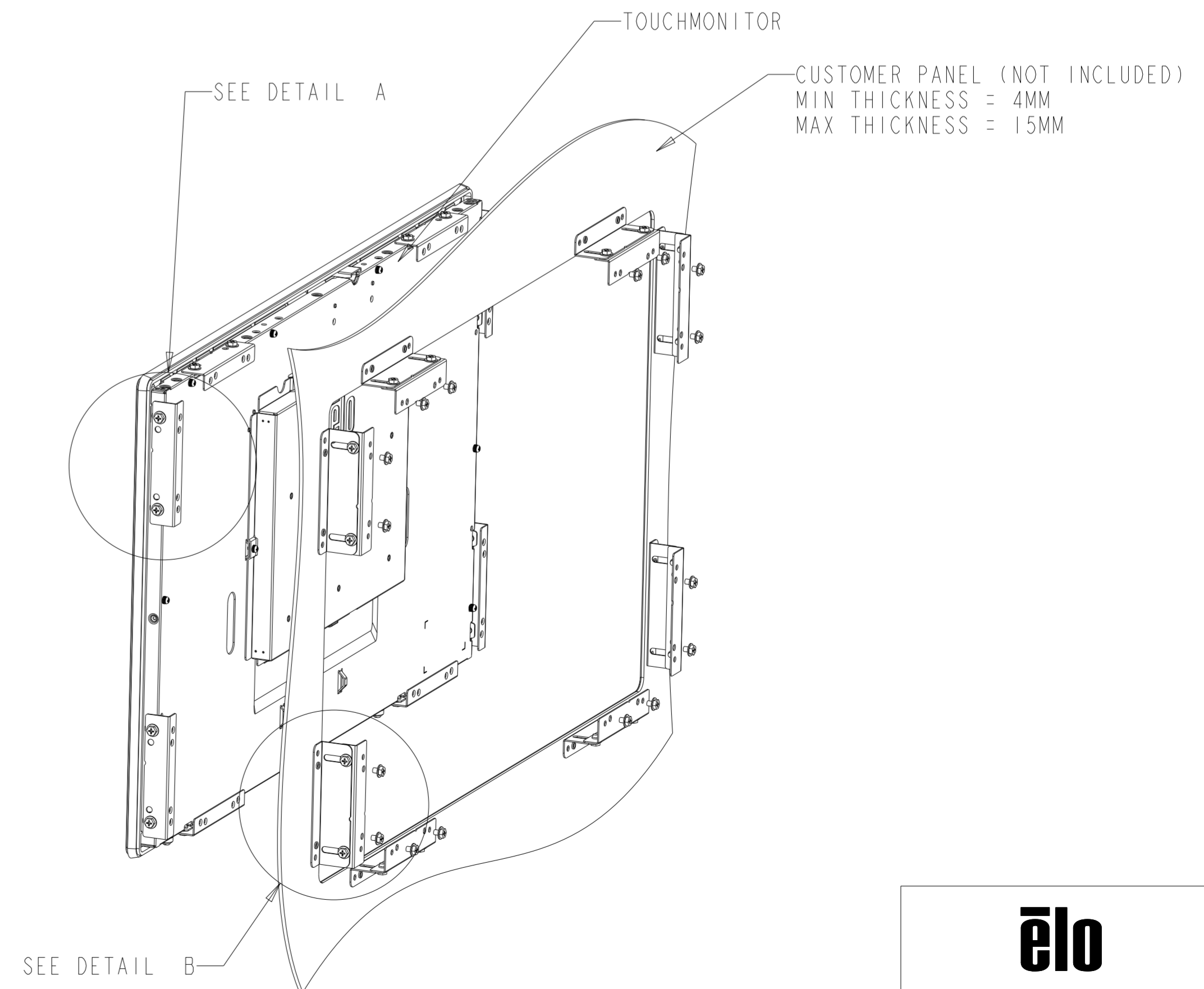
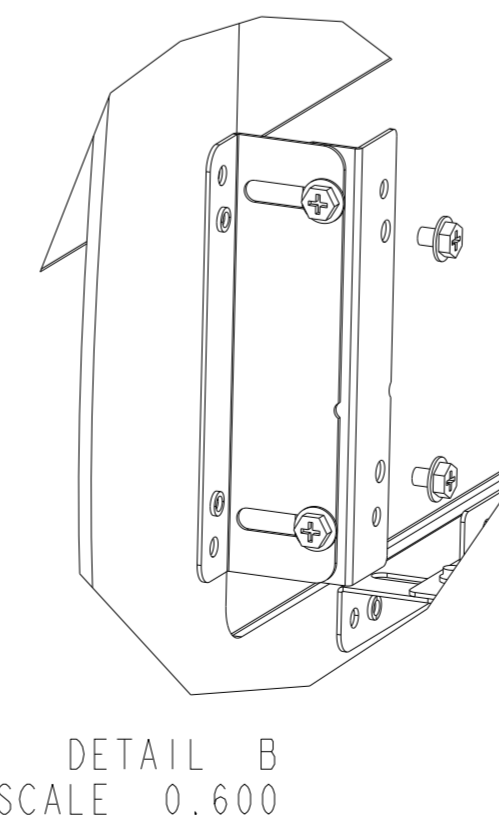
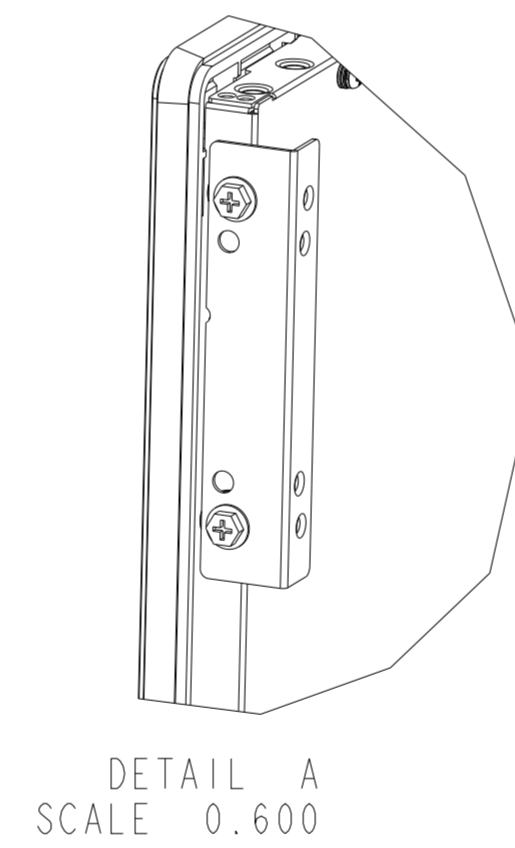
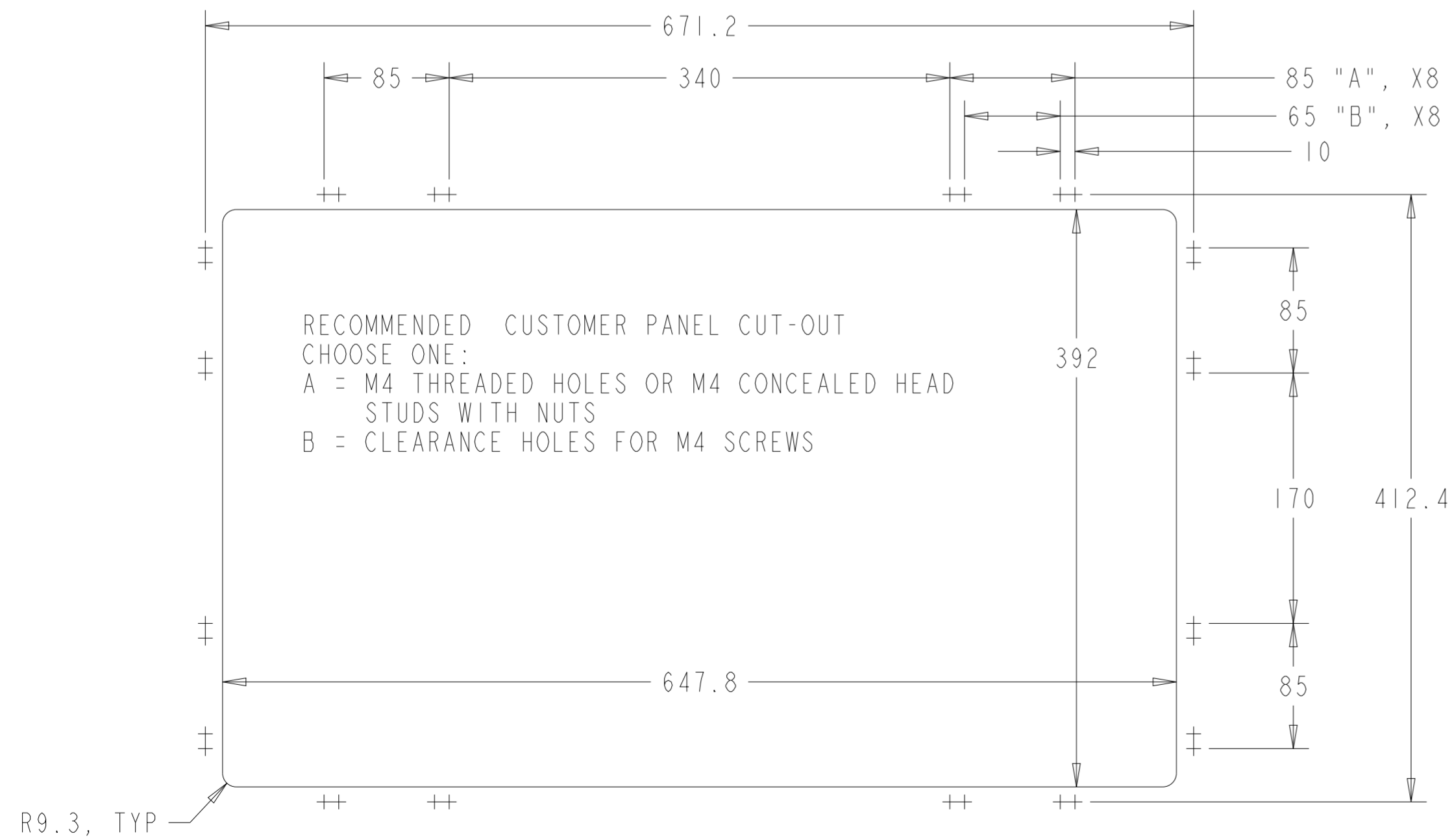
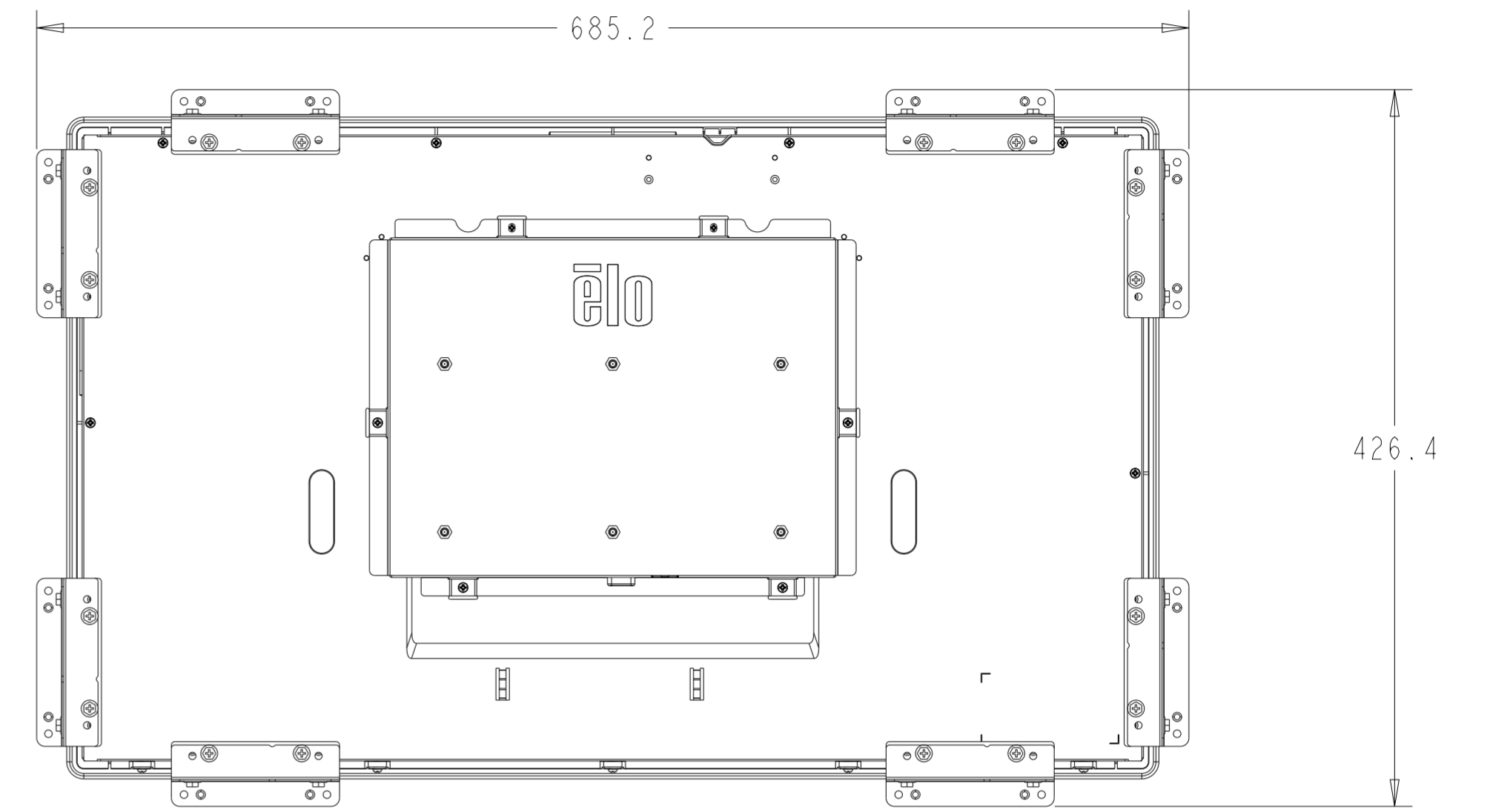
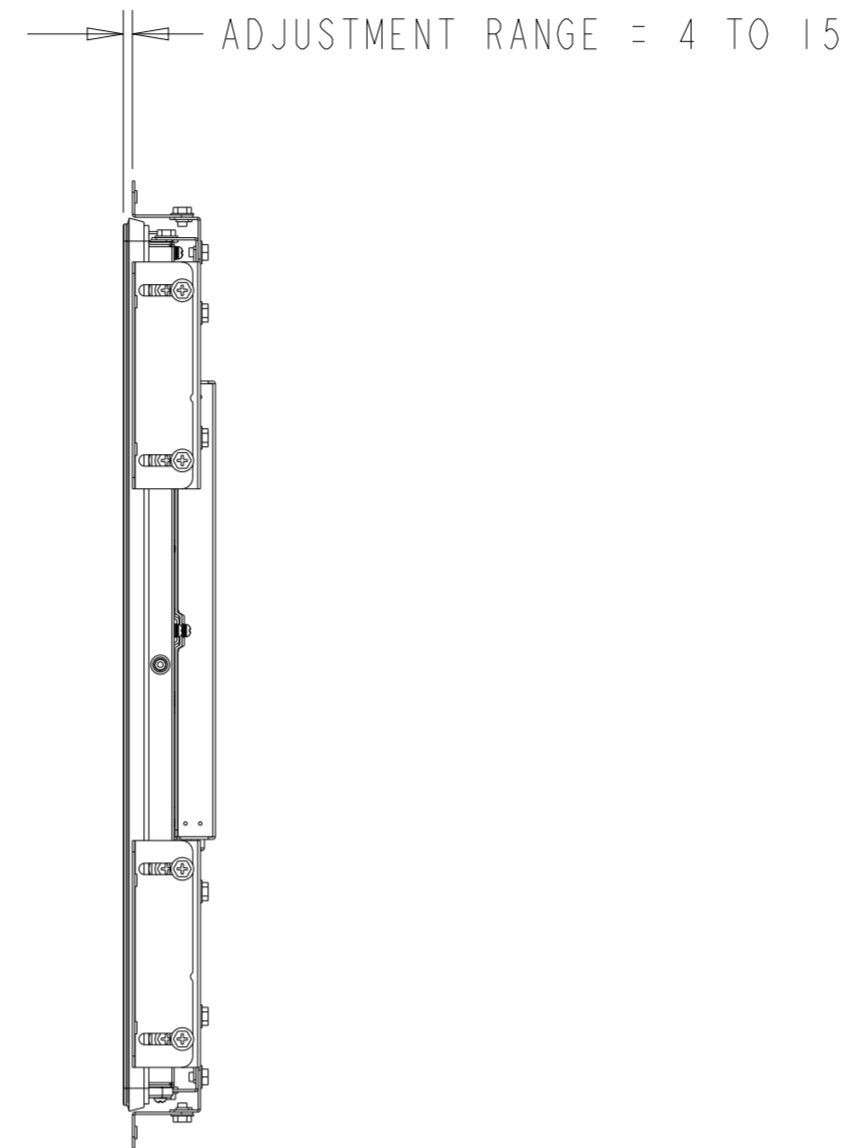
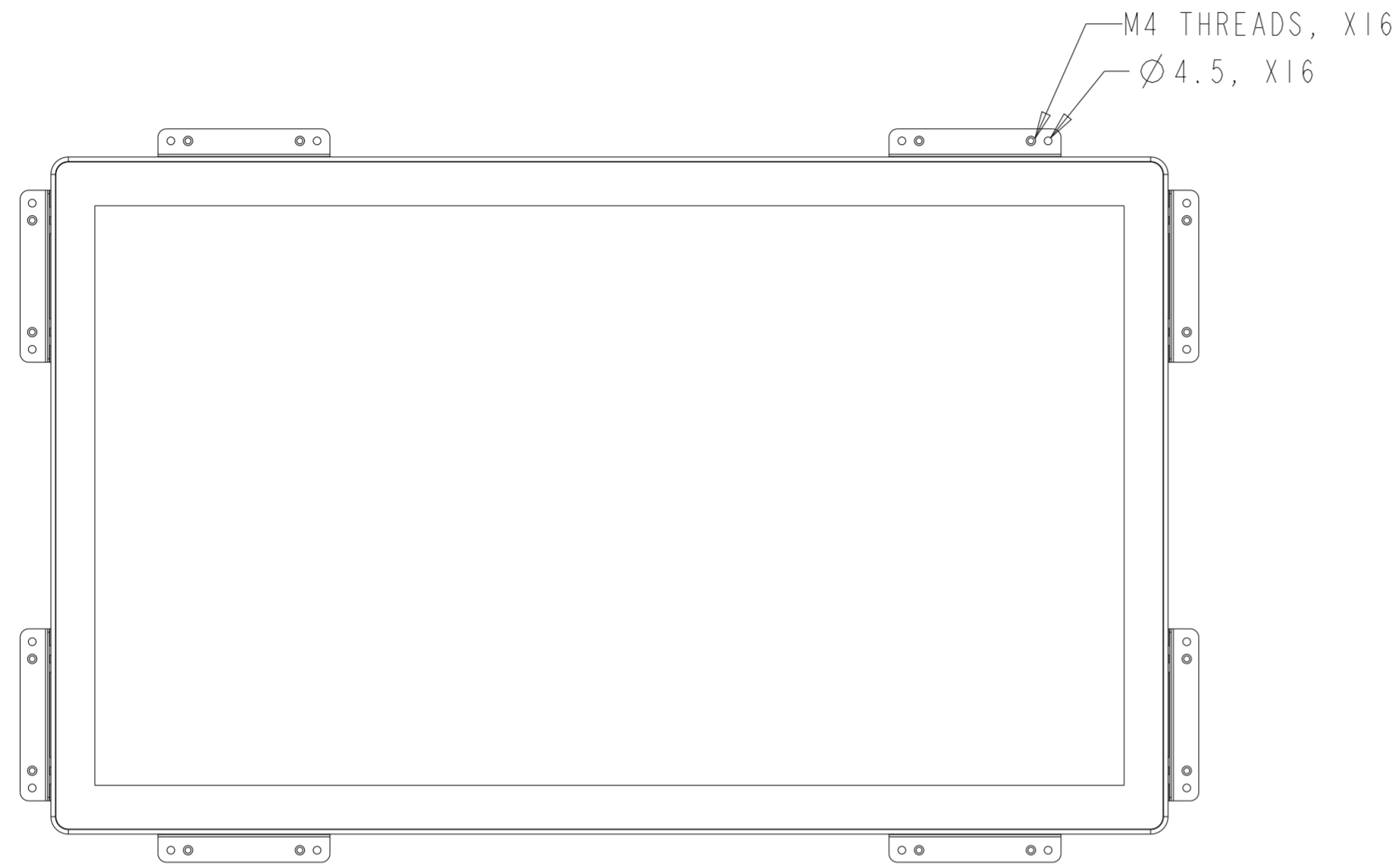


PROJECTED CAPACITIVE MODEL

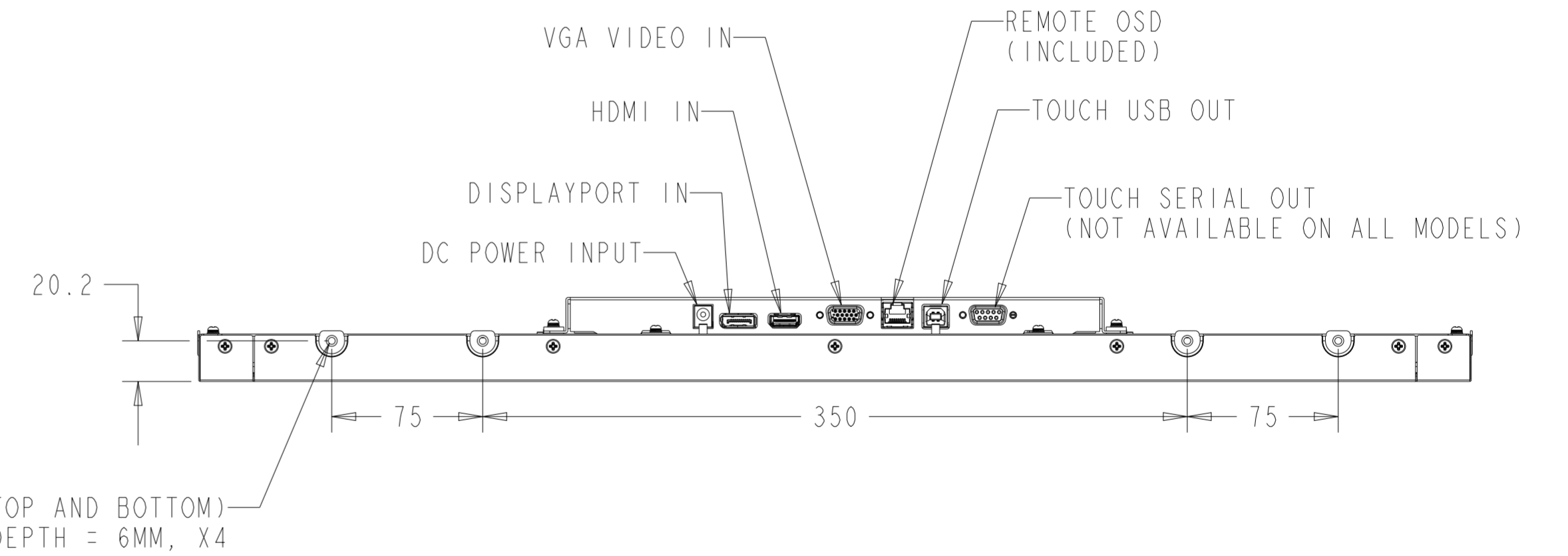
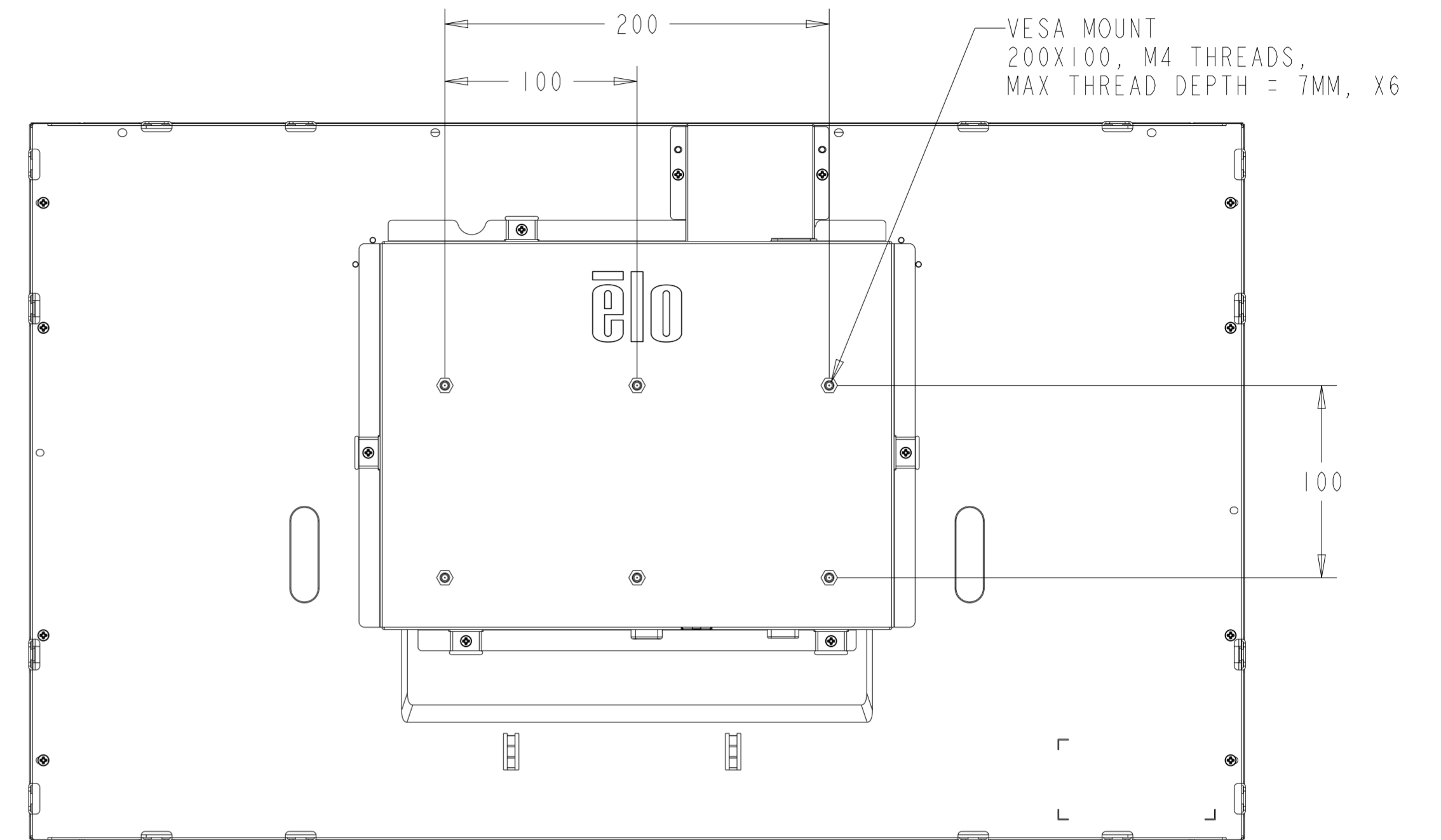
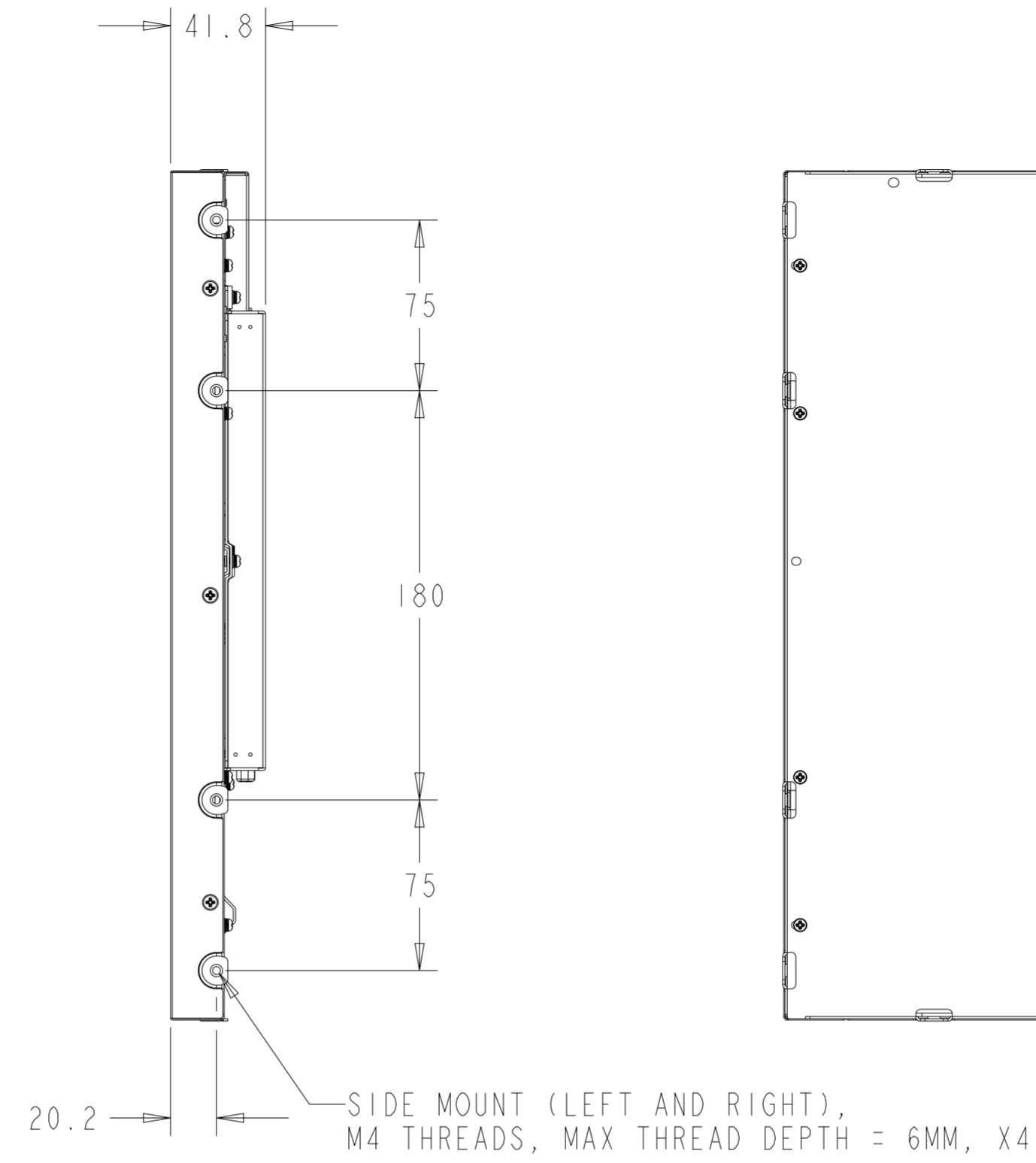
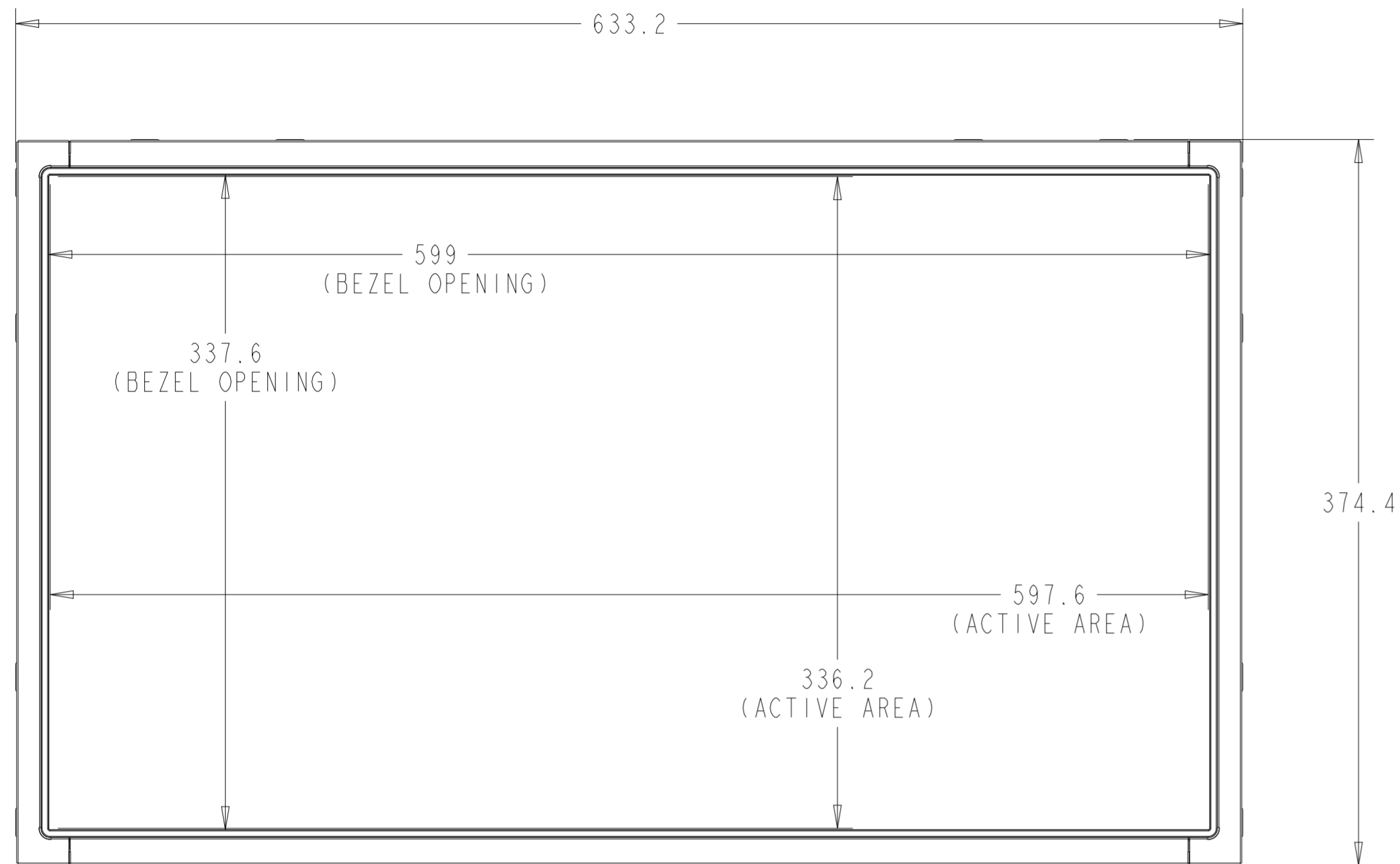


PROJECTED CAPACITIVE MODEL

WITH FLUSH MOUNTING BRACKETS (8 SETS INCLUDED)
 REPLACEMENT BRACKET KIT P/N E190896 AVAILABLE SEPARATELY

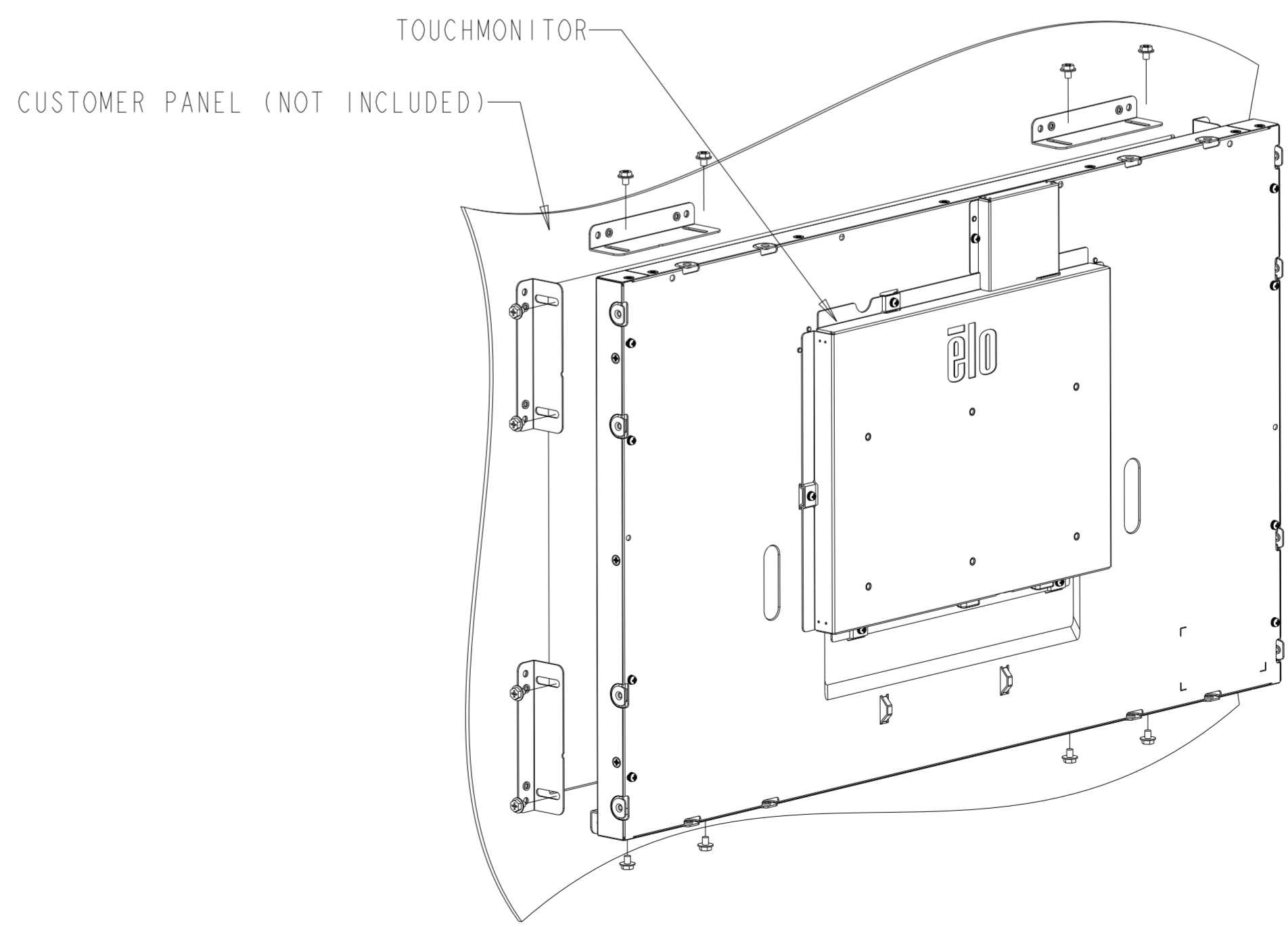
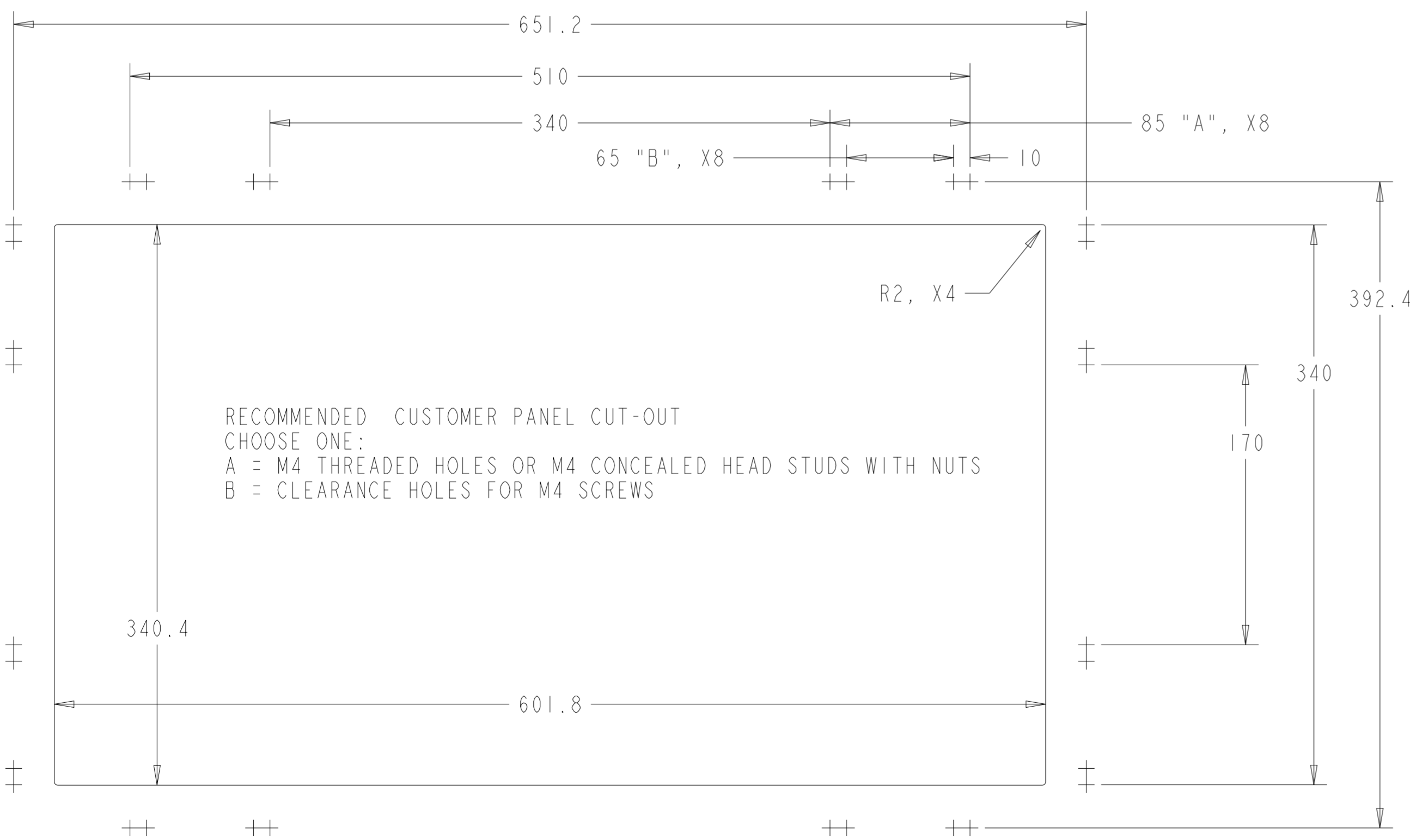
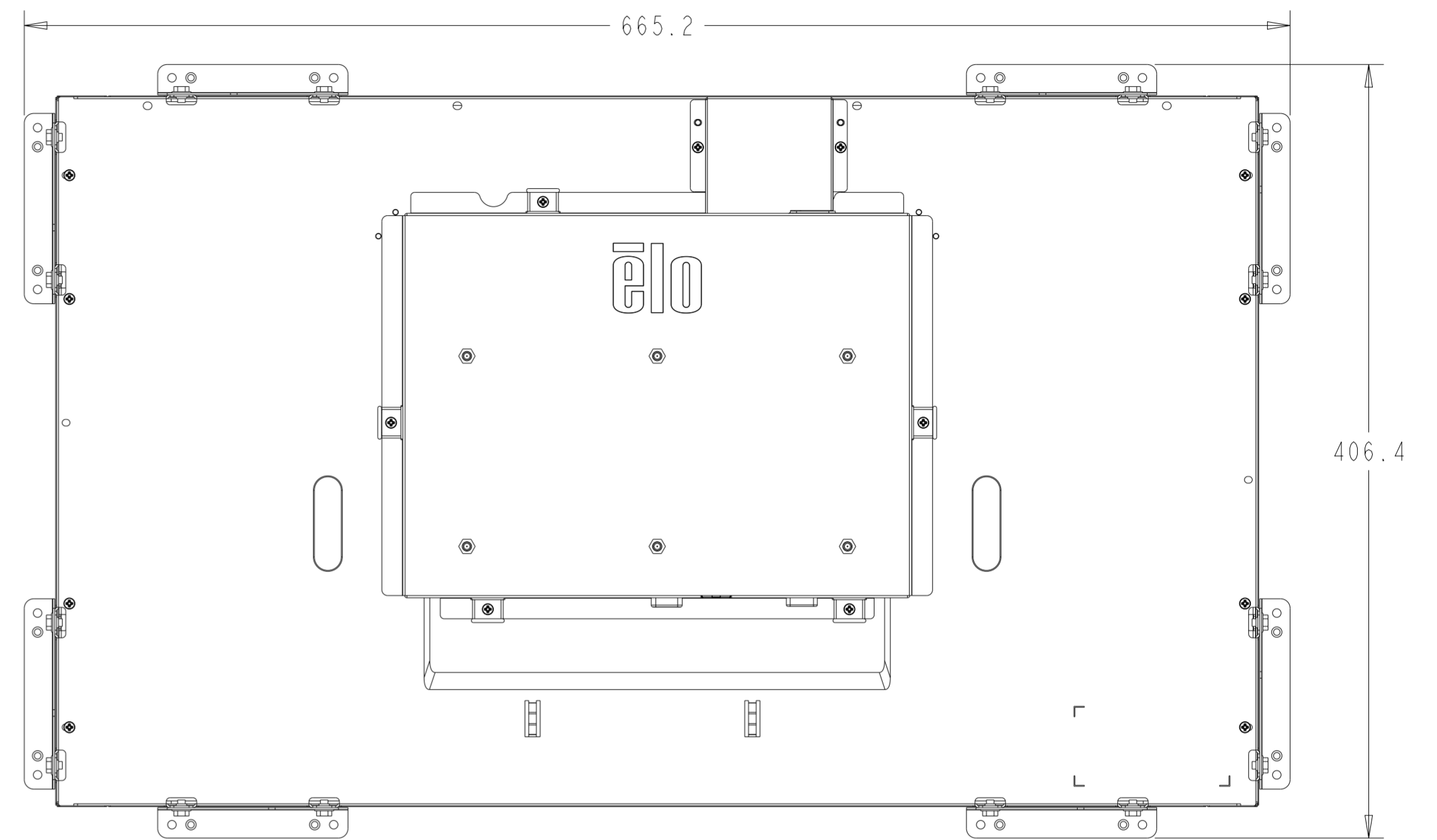
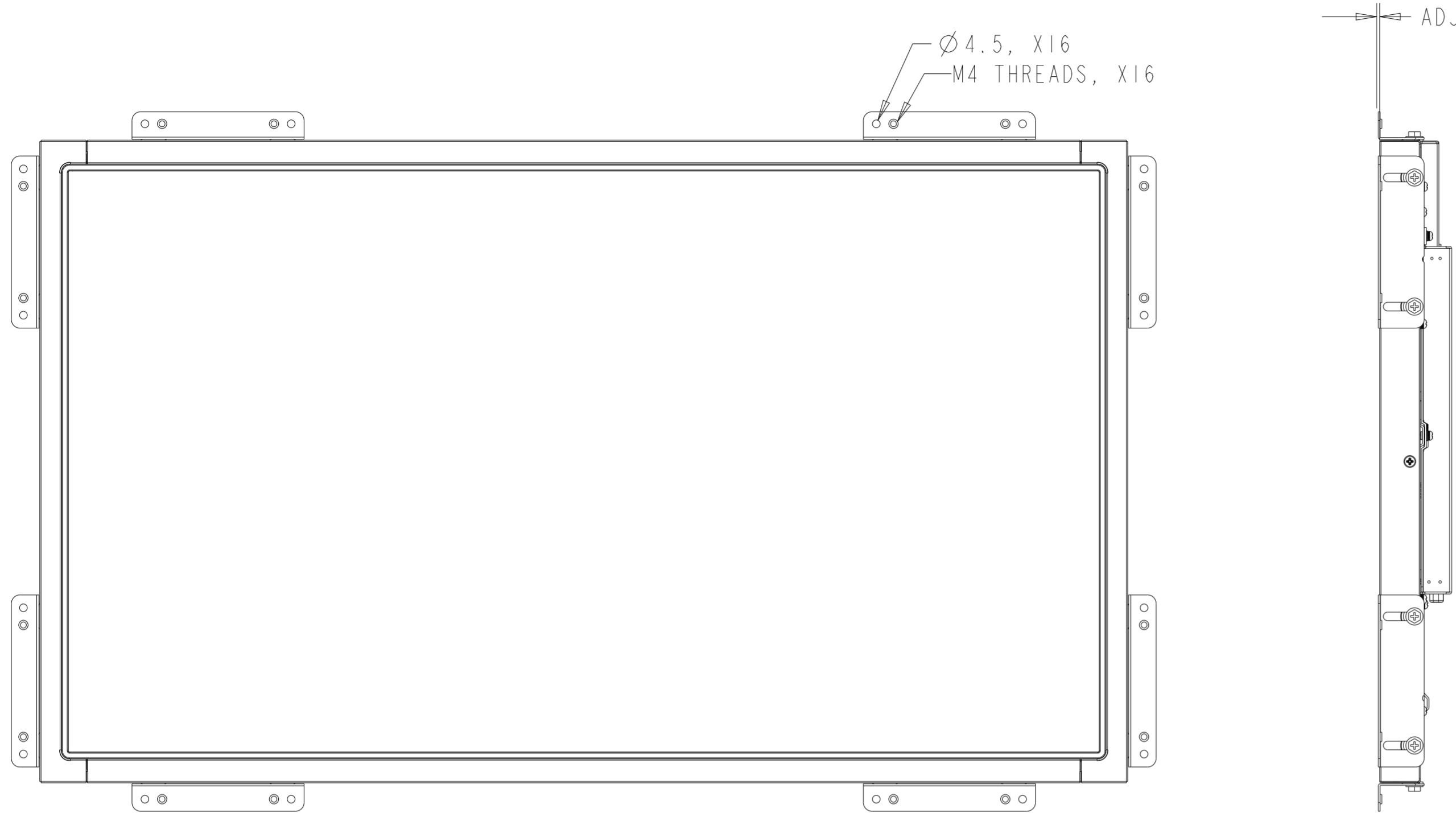


INTELLITOUCH MODELS

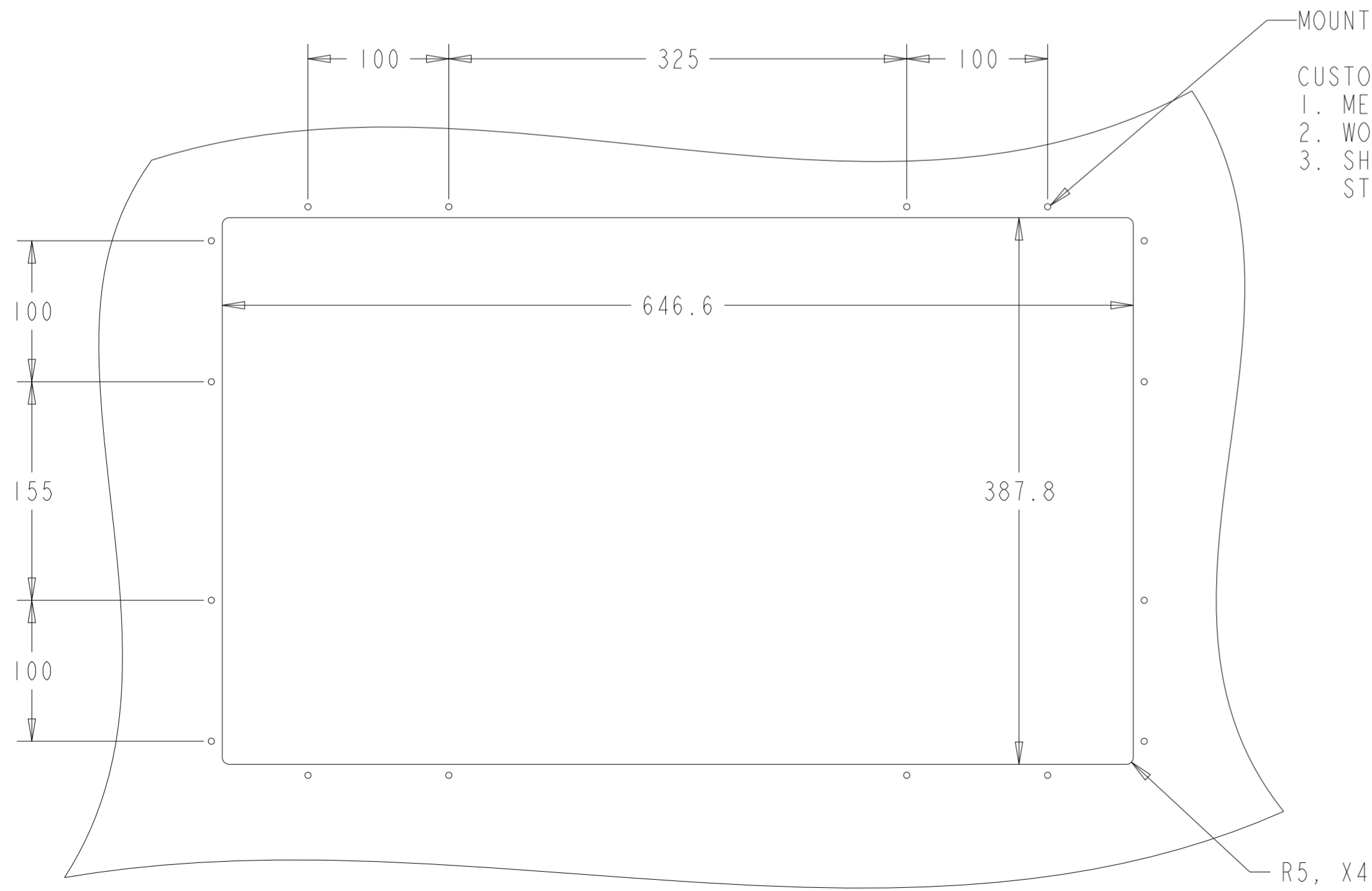
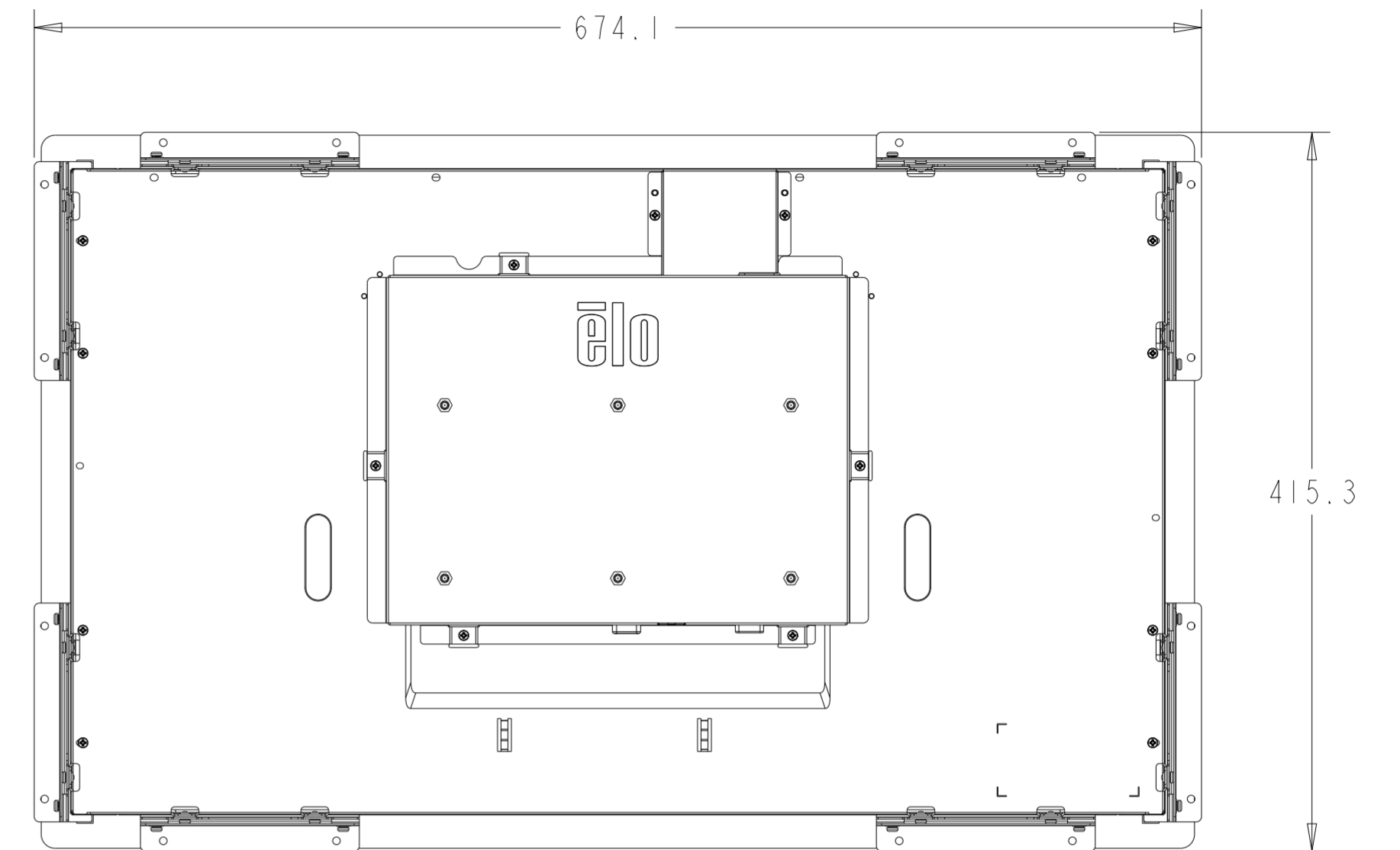
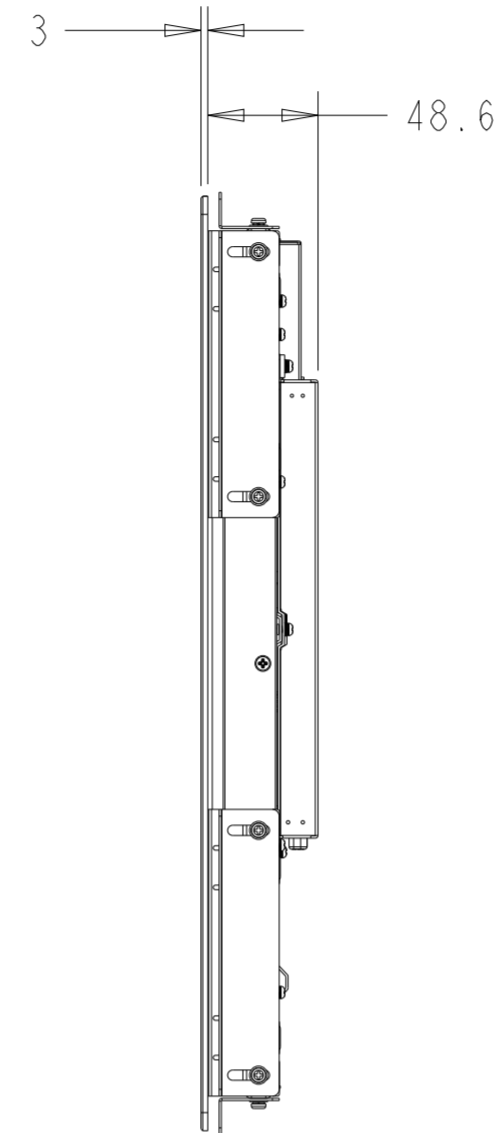
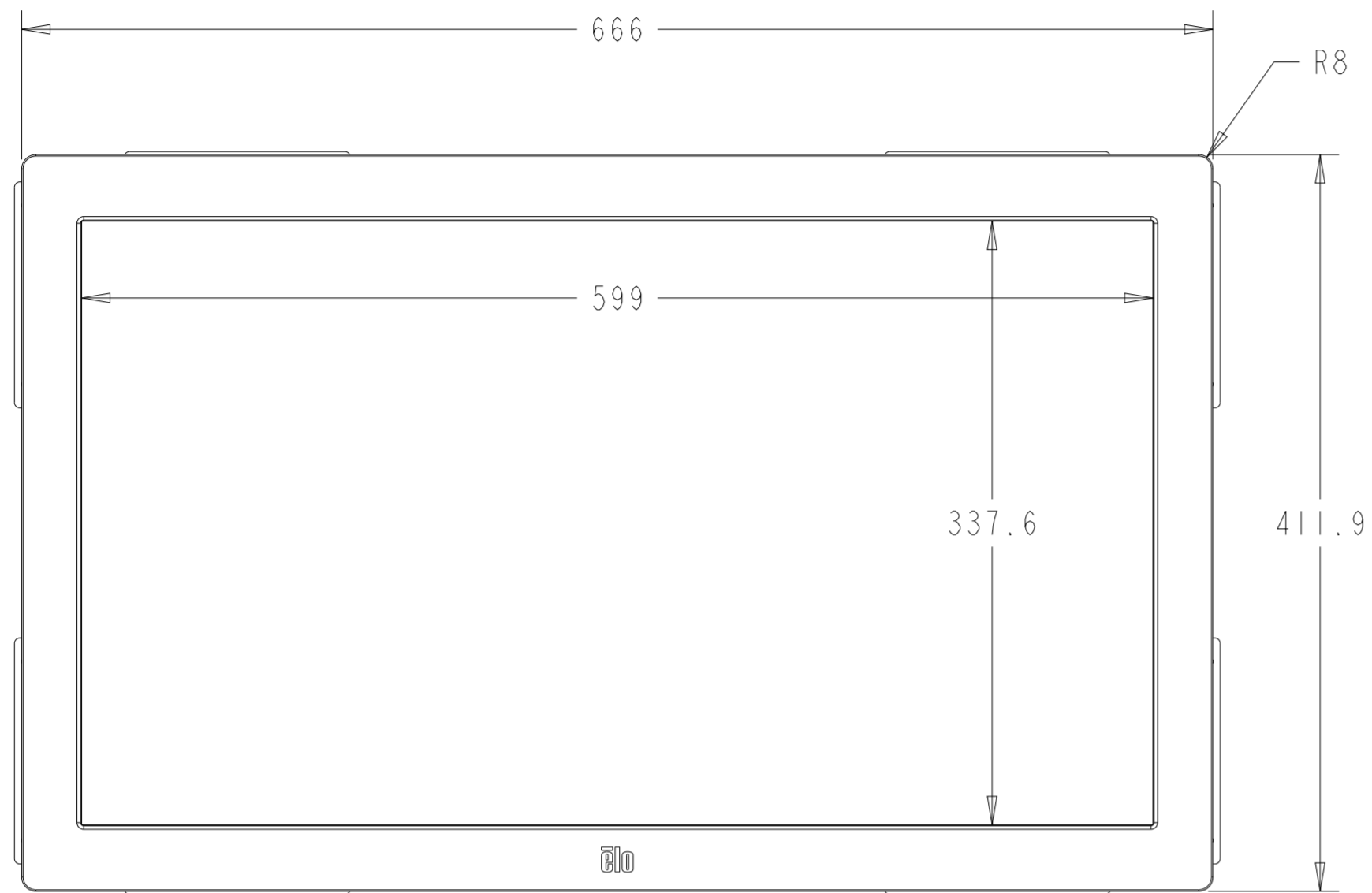


INTELLITOUCH MODELS

WITH SIDE MOUNTING BRACKETS (8 INCLUDED)
 REPLACEMENT BRACKET KIT P/N E646994 AVAILABLE SEPARATELY

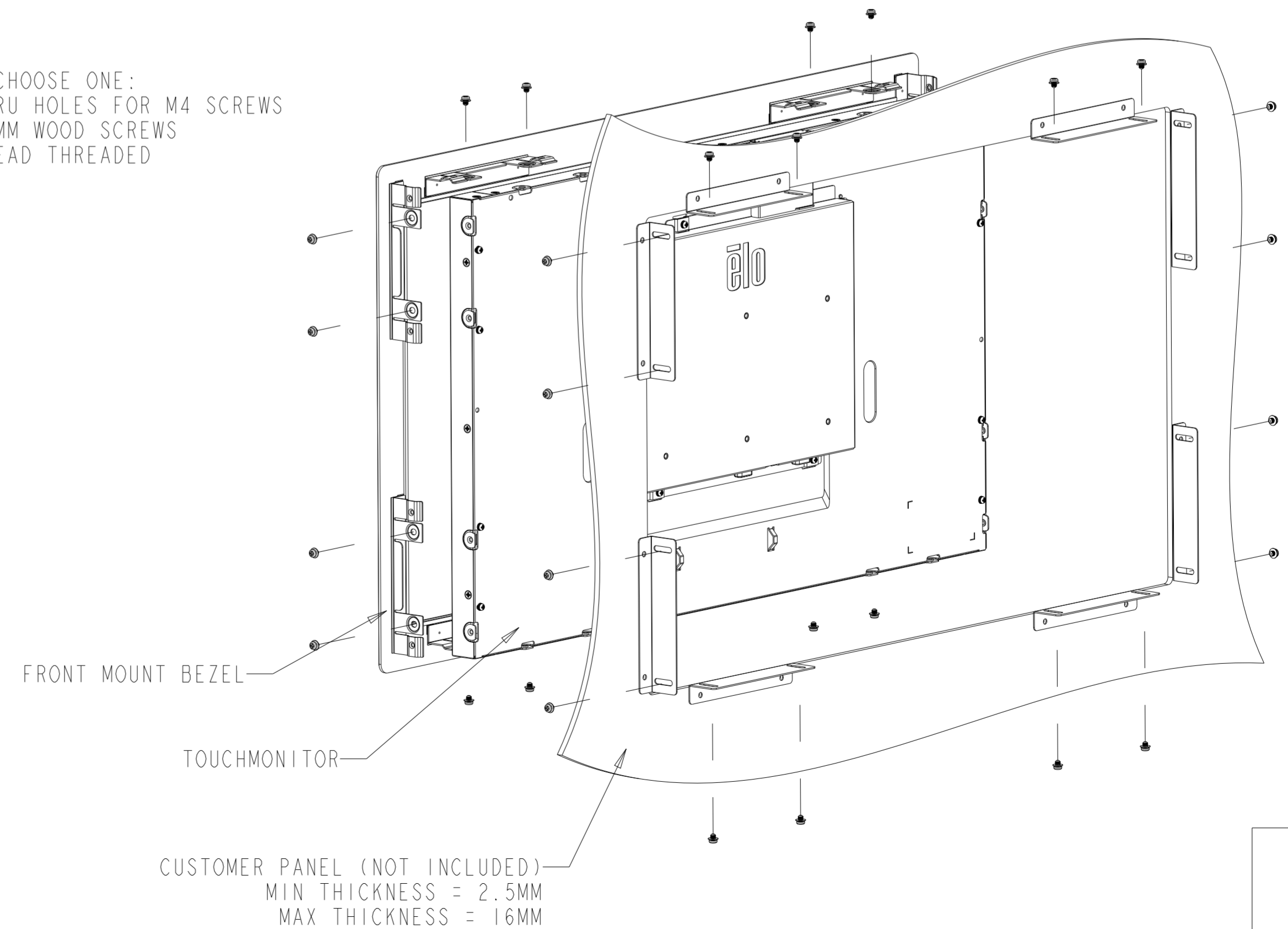


OPTIONAL FRONT MOUNT BEZEL KIT - P/N E589935
 FOR INTELLITOUCH MODELS ONLY
 ORDERED SEPARATELY, CUSTOMER ASSEMBLED



MOUNTING HOLES, X16

CUSTOMER PANEL MATERIALS, CHOOSE ONE:
 1. METAL/PLASTIC: 4.5MM THRU HOLES FOR M4 SCREWS
 2. WOOD: PILOT HOLES FOR 4MM WOOD SCREWS
 3. SHEETMETAL: CONCEALED HEAD THREADED STUDS M4, WITH NUTS



CUSTOMER PANEL (NOT INCLUDED)
 MIN THICKNESS = 2.5MM
 MAX THICKNESS = 16MM