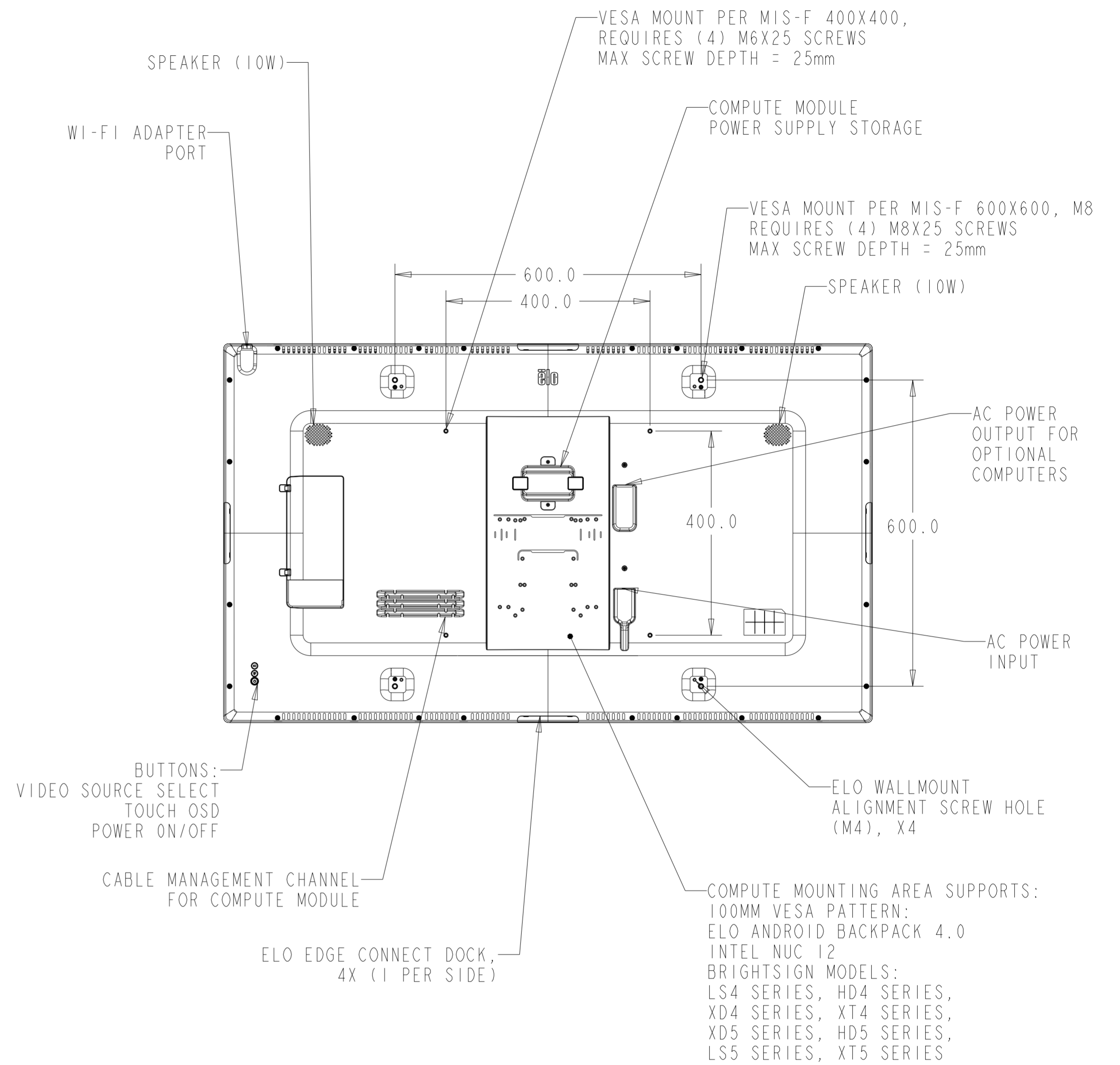
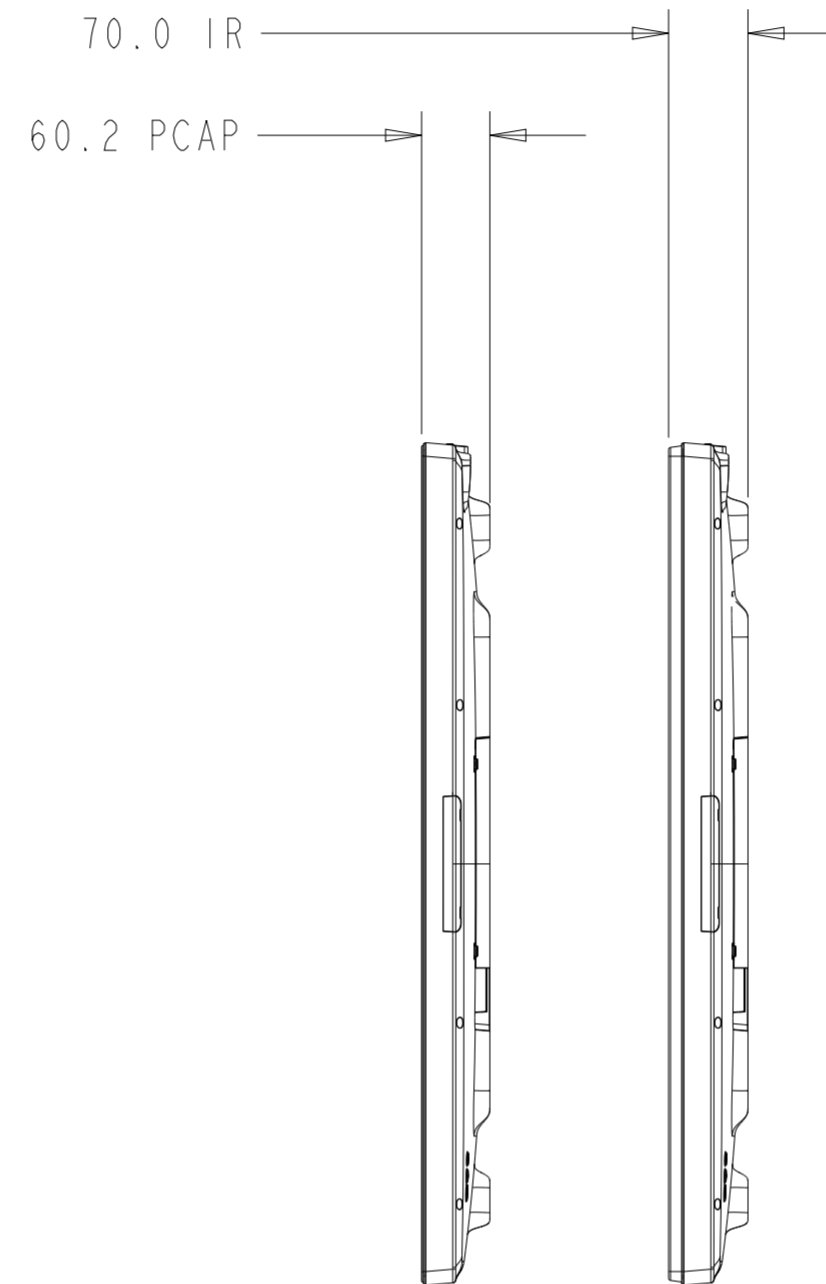
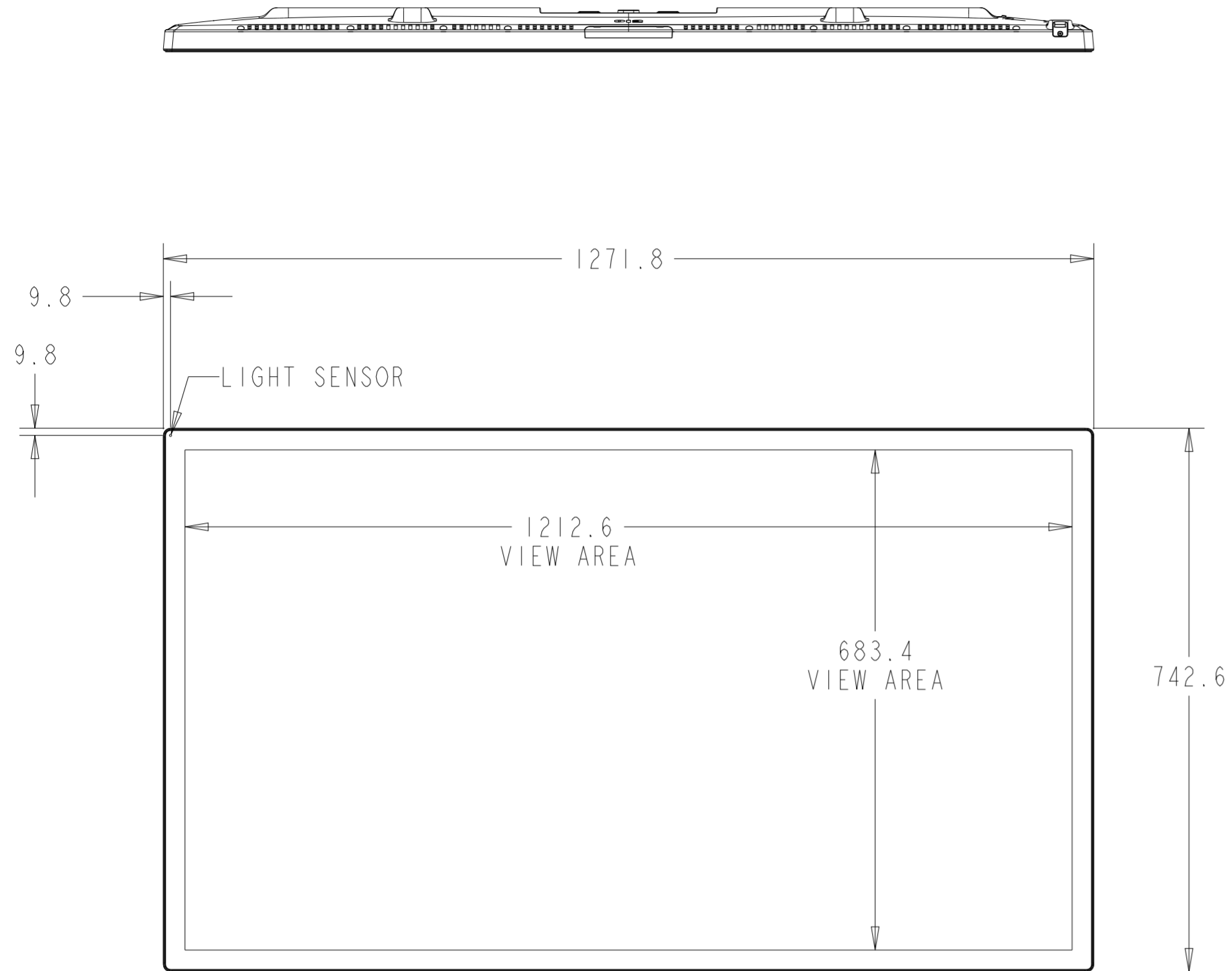
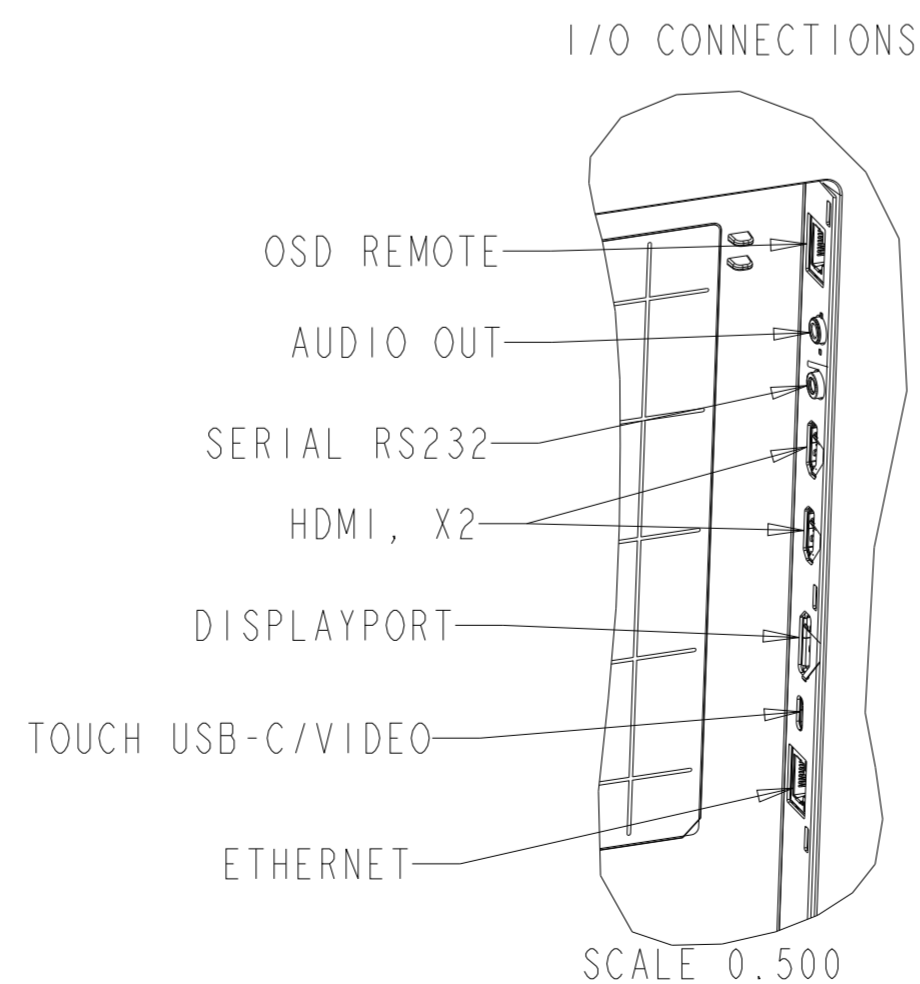
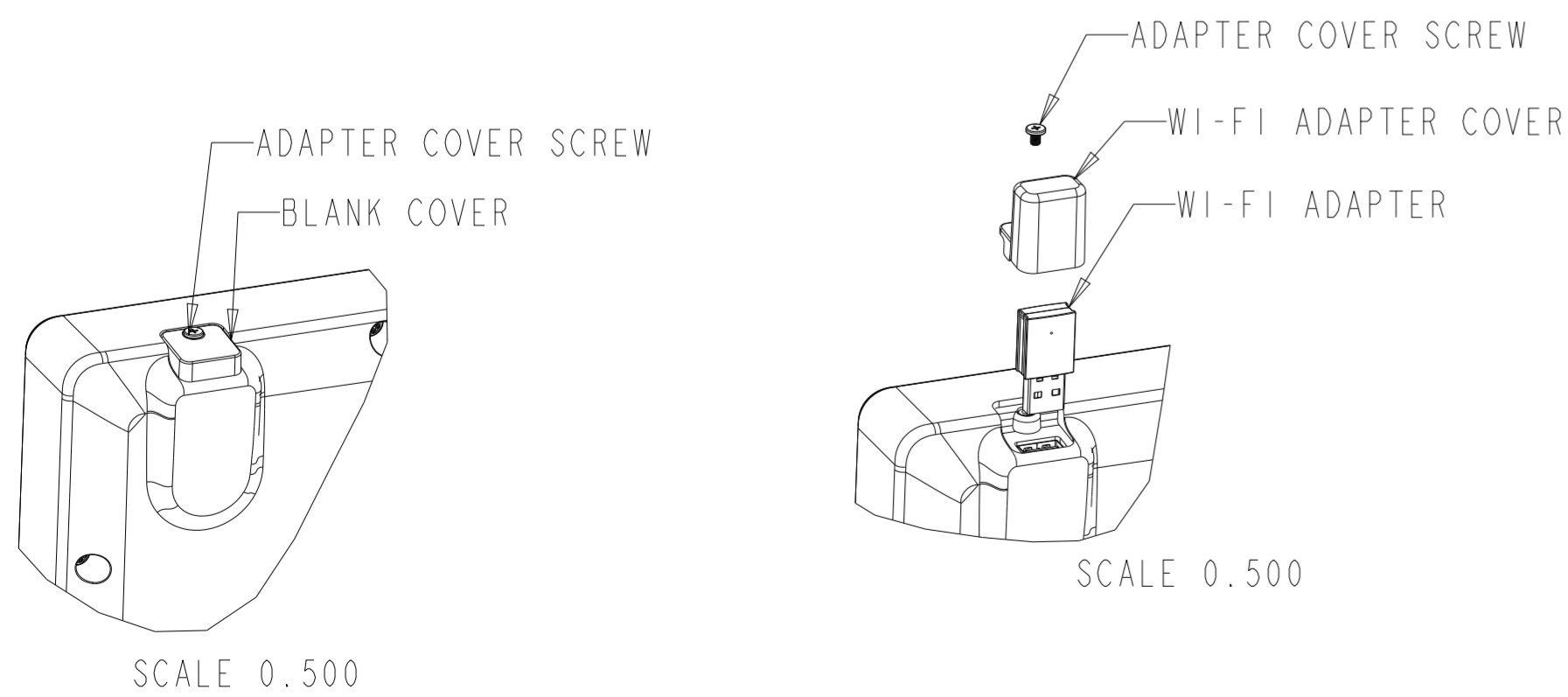


DIMENSIONAL DRAWING: ET5554L



WI-FI ADAPTER KIT P/N E131942



DIMENSIONS ARE IN MILLIMETERS

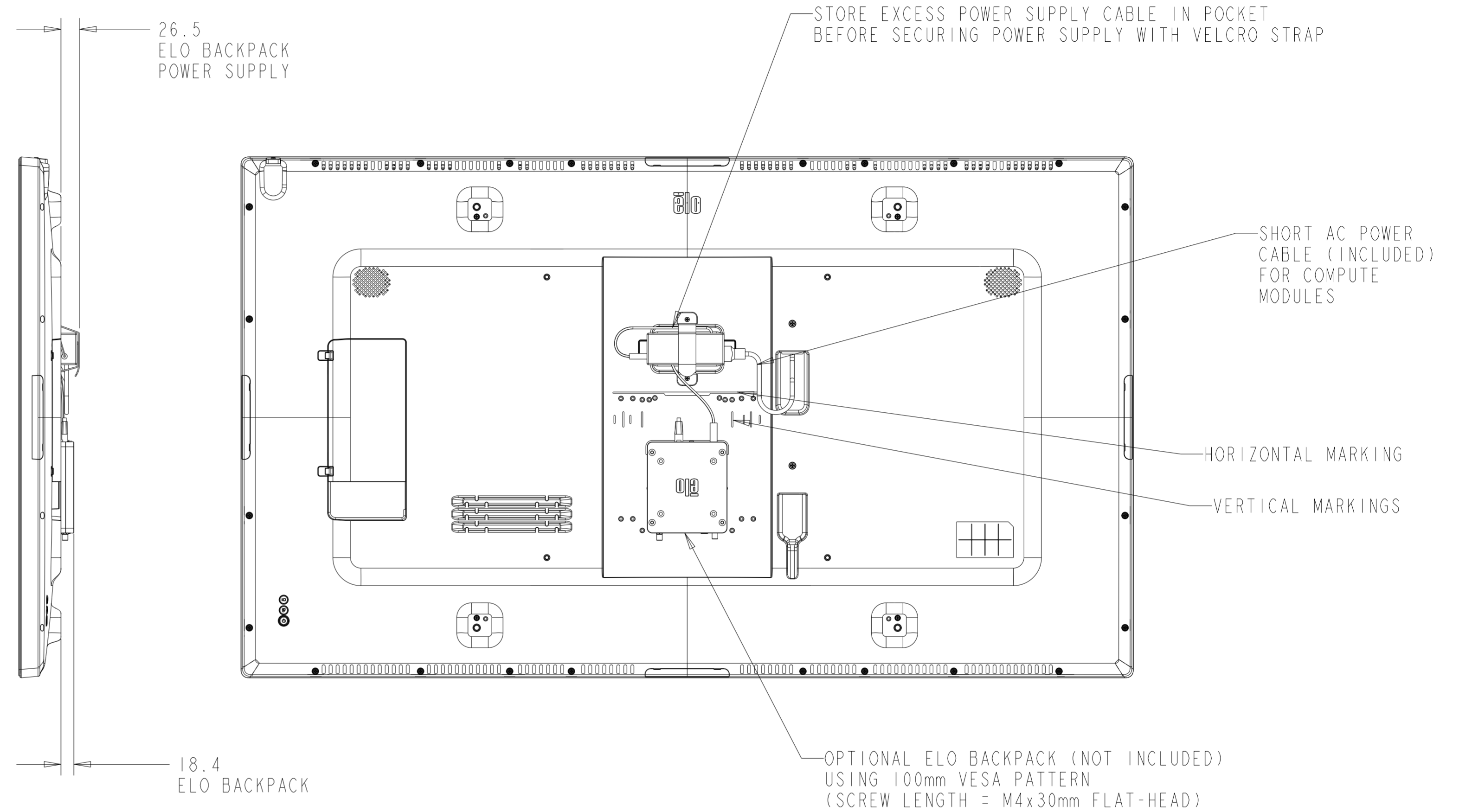
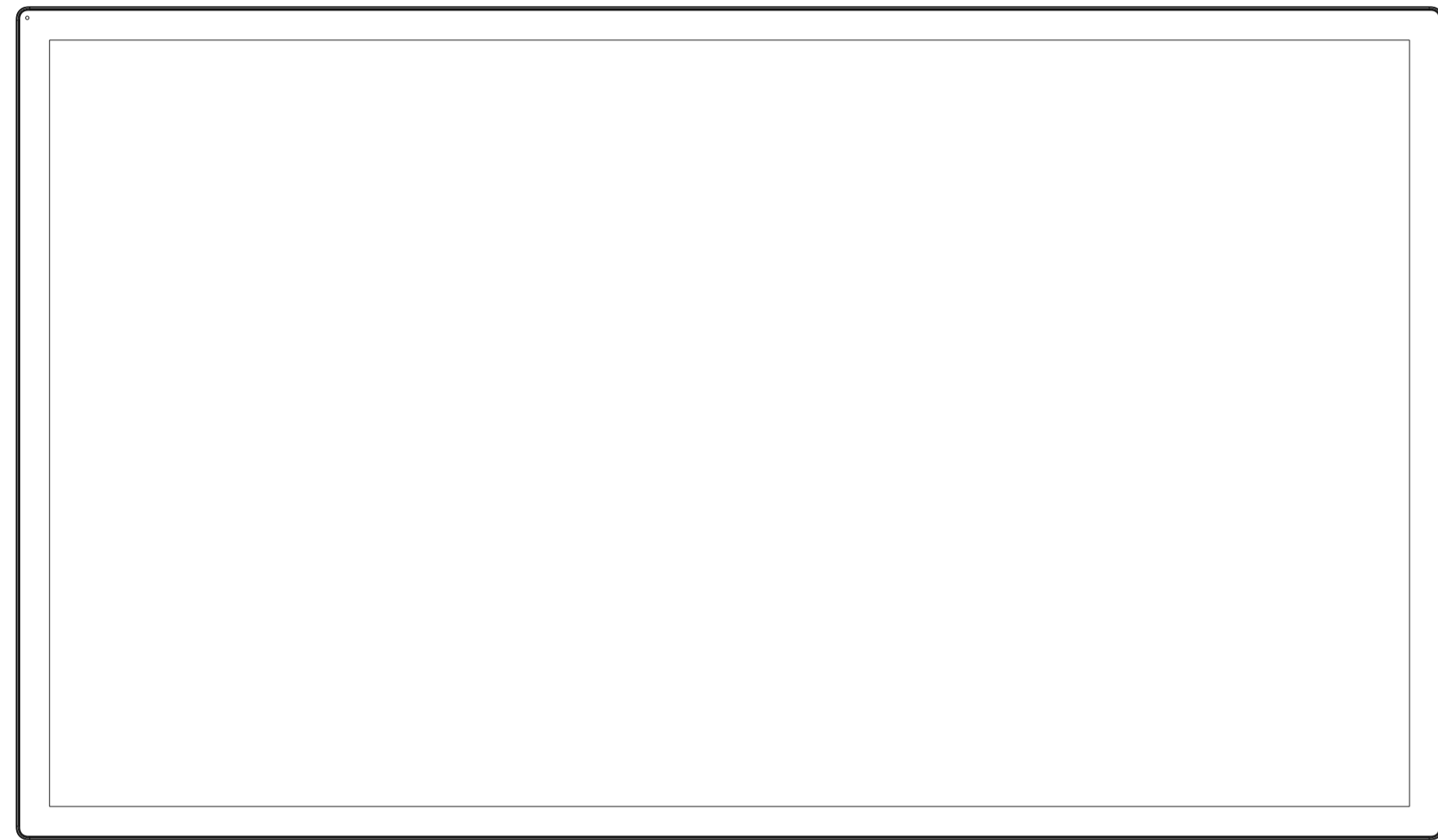
**elo**

MS603261

DATE: 03/20/2024

REV: A

# COMPUTE MODULE MOUNTING

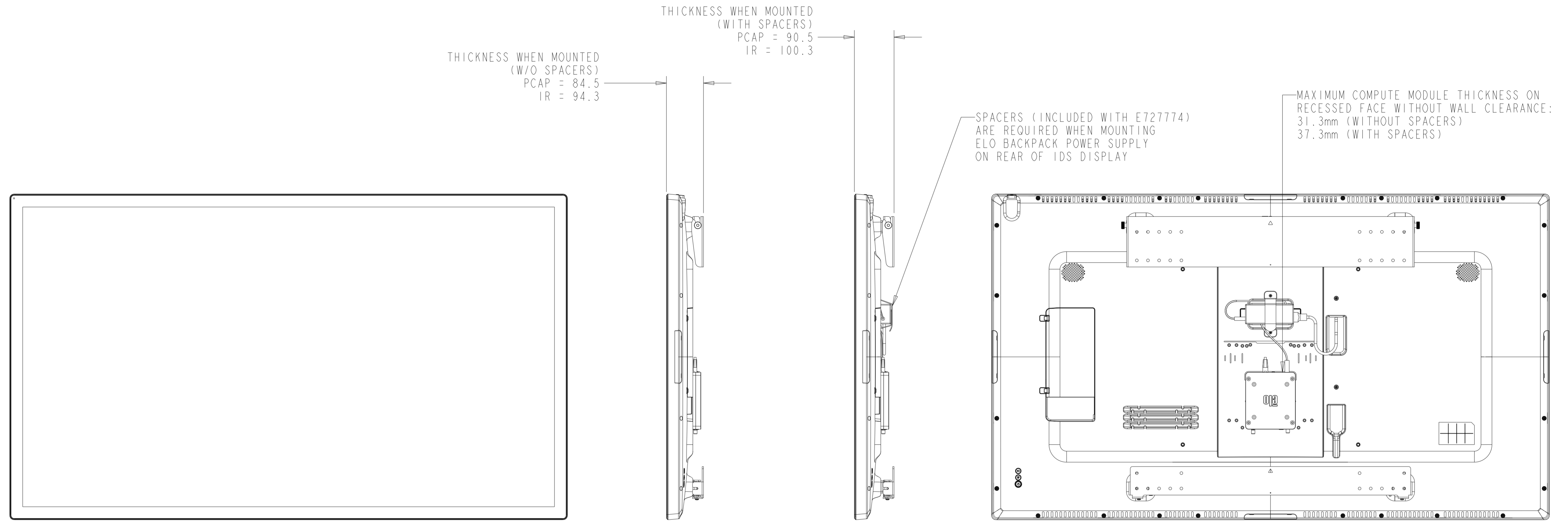


### BRIGHTSIGN COMPUTE MODULE MOUNTING INSTRUCTIONS:

1. ALIGN COMPUTE MODULE EDGE WITH HORIZONTAL MARKING
2. CENTER COMPUTE MODULE USING VERTICAL MARKINGS
3. INSTALL M4 SCREWS THROUGH DEVICE (MAX SCREW DEPTH INTO ET5554L = 5mm)
4. CONNECT POWER AND I/O CABLES FROM COMPUTER TO 5554L

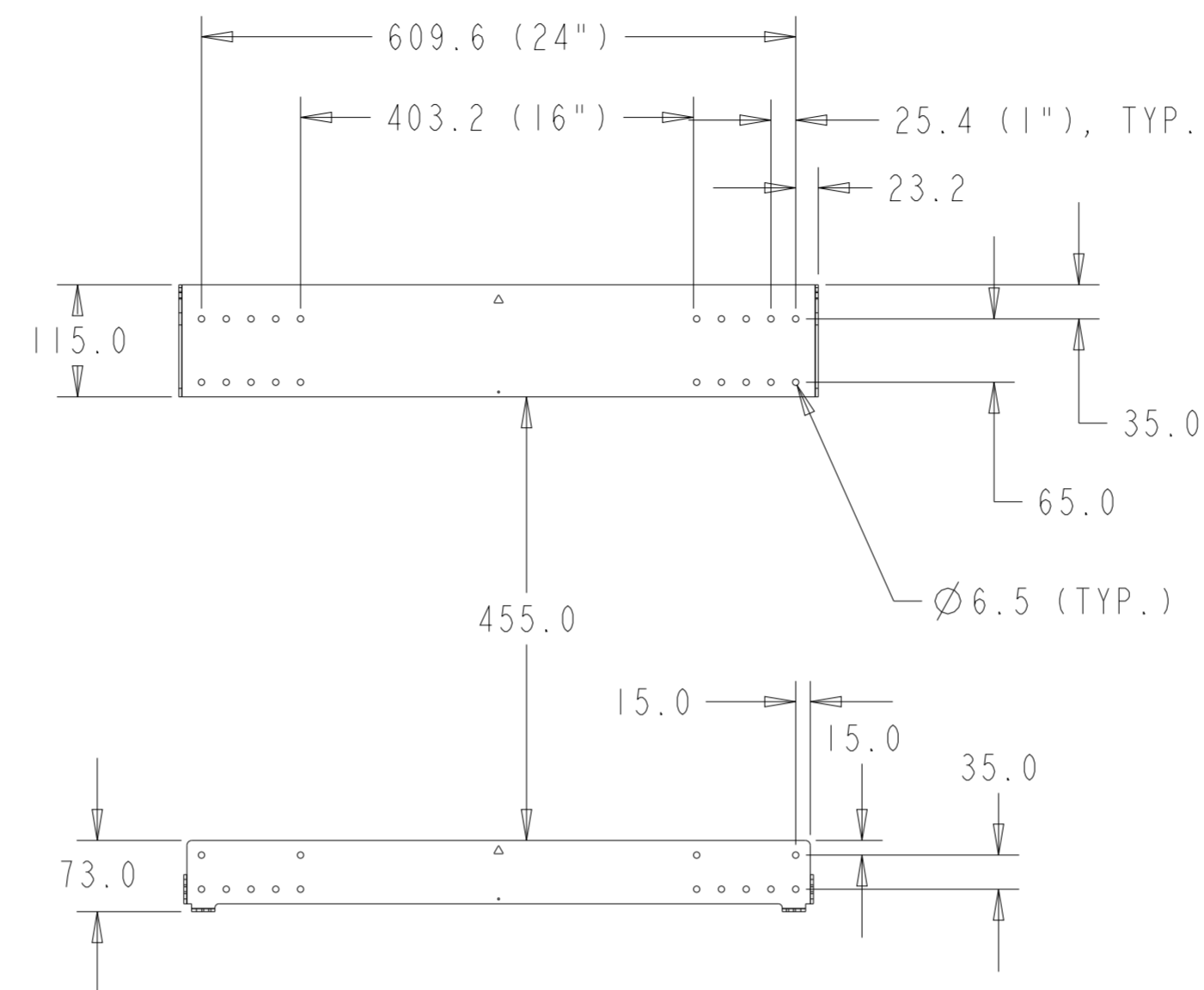
# LOW-PROFILE WALL MOUNT KIT P/N E727774

(SEE PAGE 4 FOR WALL-SIDE LAYOUT)

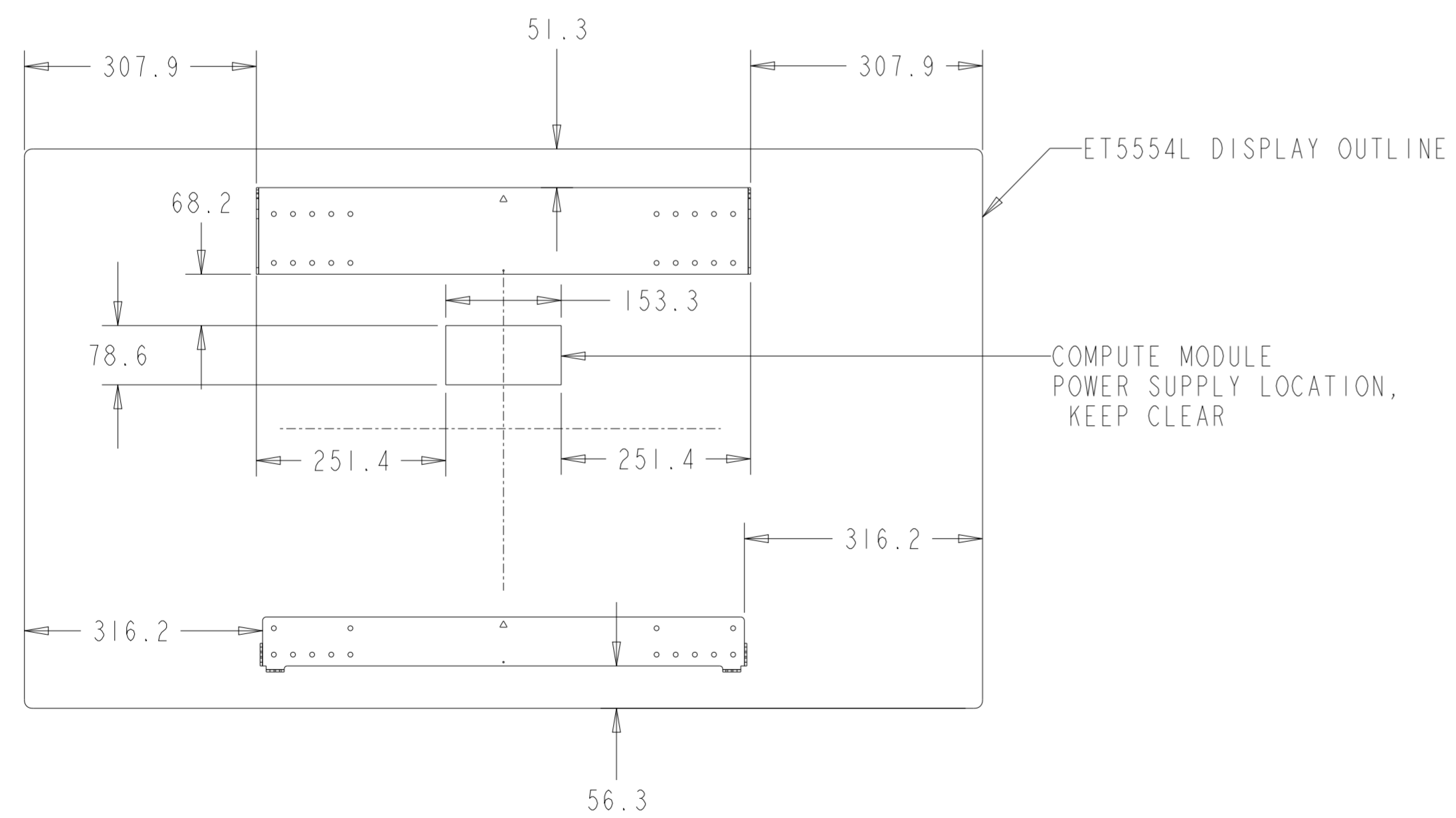


LOW-PROFILE WALL MOUNT KIT P/N E727774

WALL-SIDE LAYOUT



LANDSCAPE ORIENTATION



PORTRAIT ORIENTATION

