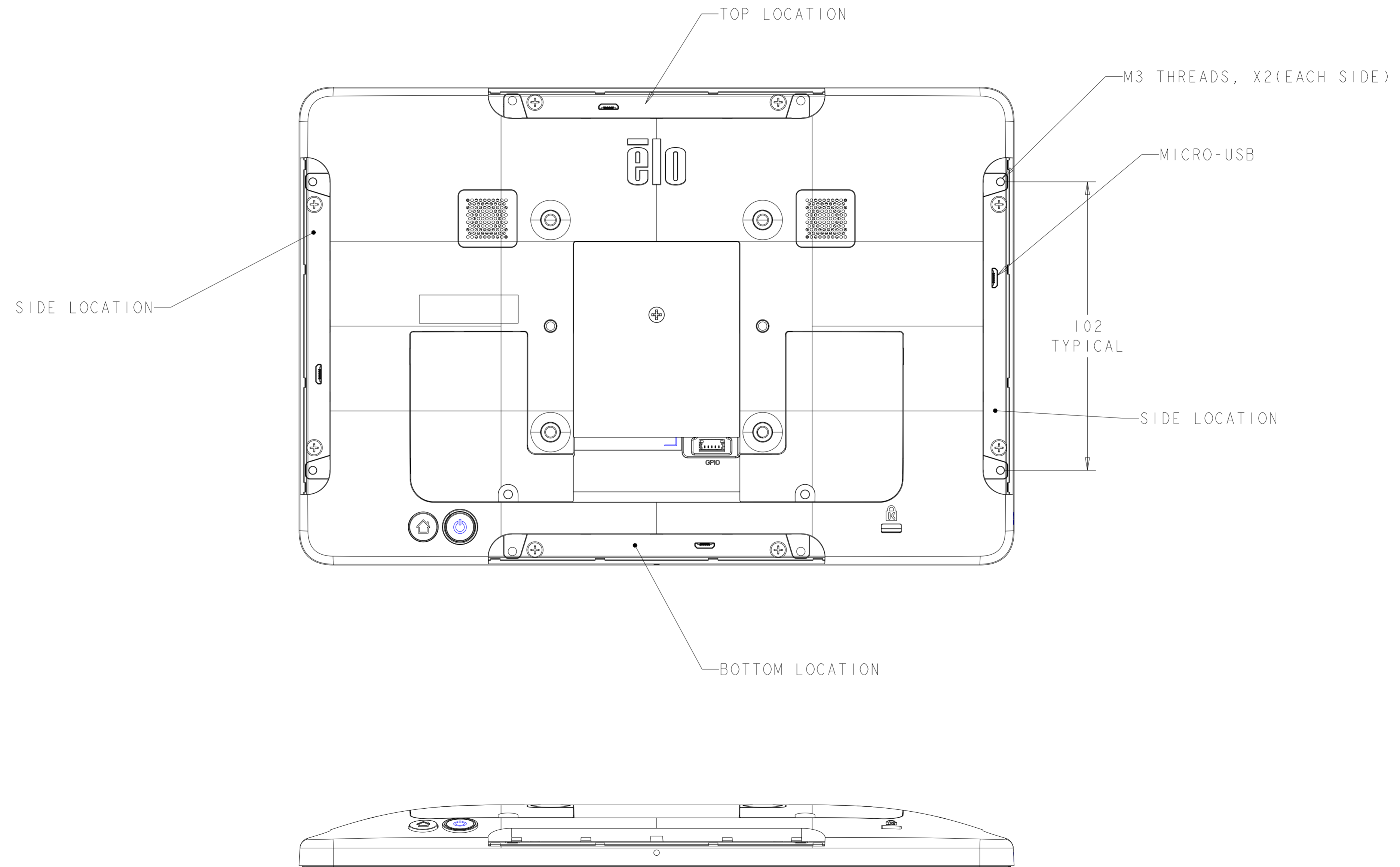


DIMENSIONS ARE IN MILLIMETERS

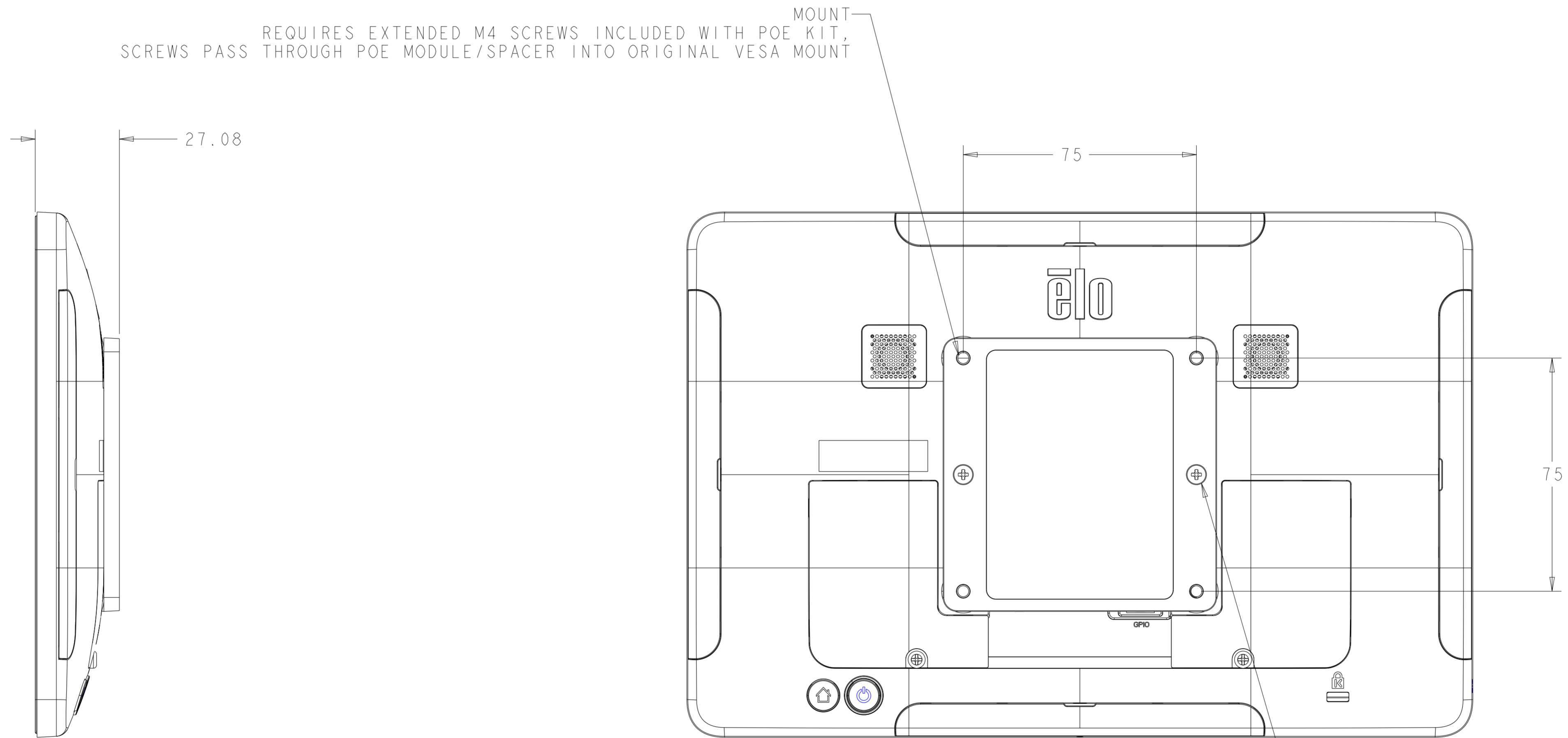
**elo**  
 MS602780  
 DATE: 07/09/2021  
 REV: A

ELO PERIPHERAL MOUNTING INTERFACE ( 1 PER SIDE )  
(SEE WEBSITE FOR DIMENSIONAL DRAWINGS OF COMPATIBLE PERIPHERALS)



POWER OVER ETHERNET (POE) ADAPTER KIT P/N: E413396  
(OPTIONAL KIT, PURCHASED SEPARATELY)  
POE COVER REMOVED AND POE PERIPHERAL INSTALLED

REQUIRES EXTENDED M4 SCREWS INCLUDED WITH POE KIT,  
SCREWS PASS THROUGH POE MODULE/SPACER INTO ORIGINAL VESA MOUNT



MOUNTING SCREW M3X8, 2 PCS  
TO SECURE POE PERIPHERAL INTO POE DOCKING BAY